

CLEARCHEST™ POSITIONING BAR

PRODUCT INFORMATION

[PHILLIPS-SAFETY.COM](https://phillips-safety.com)

COPYRIGHT ©2026. ALL RIGHTS RESERVED



PHILLIPS SAFETY
PRODUCTS INC.

PRODUCT INFORMATION

CLEARCHEST™ POSITIONING BAR



The ClearChest™ Positioning Bar is a wall-mounted patient positioning device designed to help technologists achieve clear, artifact-free chest X-rays. By providing a stable overhead handhold, the bar allows patients to comfortably raise and maintain their arms above the imaging field, helping reduce interference from the humeral head and surrounding soft tissue.

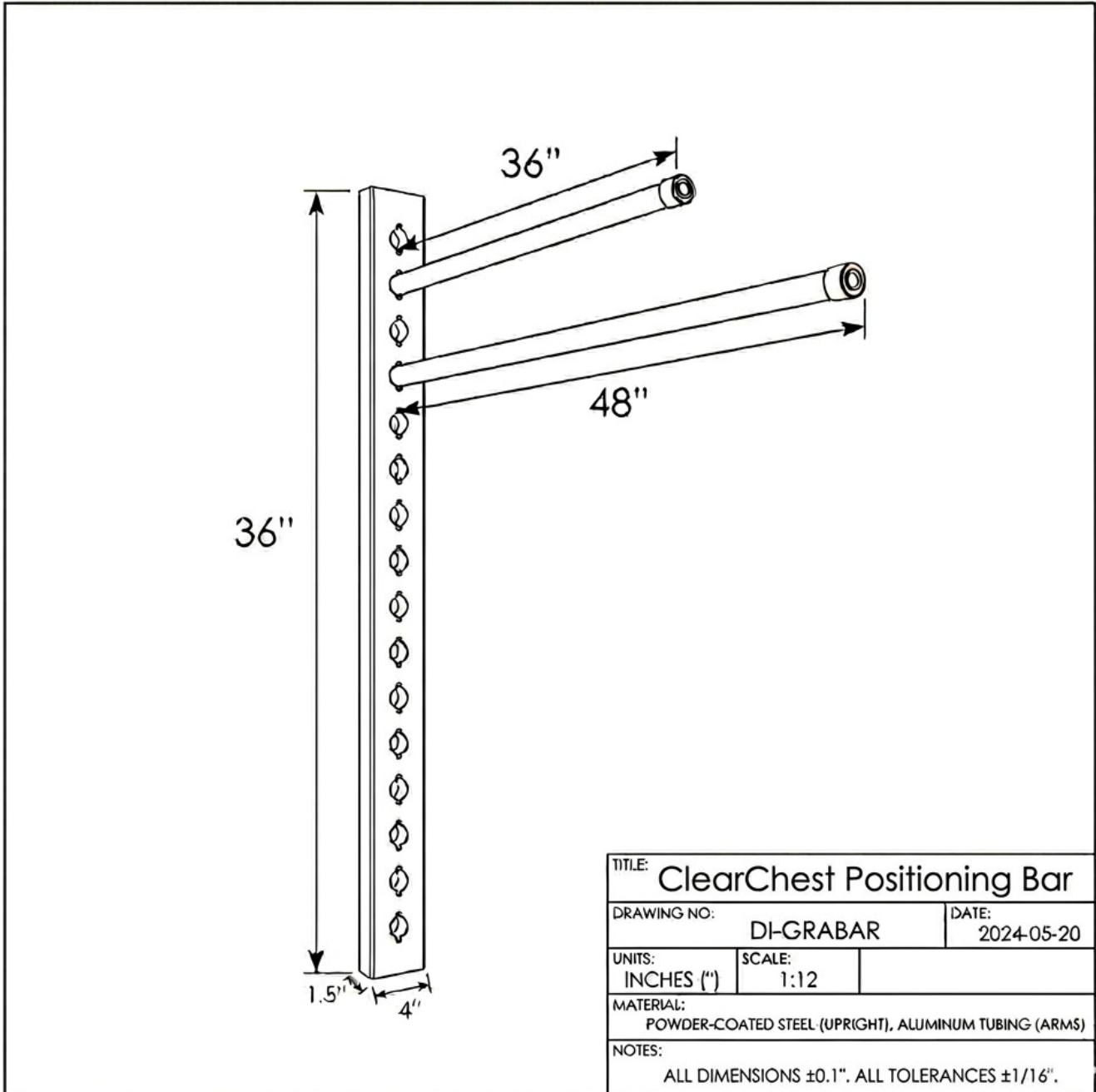
Designed as a modern alternative to traditional chest positioning bars, the ClearChest™ Positioning Bar features a lightweight, durable construction that delivers reliable patient support while reducing installation challenges. The wall-mounted design creates a secure anchor point that promotes consistent positioning and helps improve imaging efficiency.

The system includes an adjustable vertical track that allows the positioning bar to be quickly repositioned for patients of different heights. This flexibility helps accommodate a wide range of patients while supporting accurate and repeatable positioning for chest imaging procedures.

In addition to chest X-rays, the ClearChest™ Positioning Bar can also be used as a stability aid during weight-bearing orthopedic exams. Facilities may choose to install an additional unit at a lower height to provide support for patients undergoing standing knee and ankle X-rays.

Available with 36" and 48" positioning bars, the ClearChest™ Positioning Bar offers the flexibility to fit a wide range of imaging environments. The wall-mounted system installs easily in rooms without built-in chest bucky bars, providing a simple and cost-effective way to upgrade patient positioning and support consistent imaging results.

PRODUCT INFORMATION
CLEARCHEST™ POSITIONING BAR




CONTACT

Should you need any further information,
please do not hesitate to contact us.

123 Lincoln Blvd, Middlesex, NJ 08846, USA 

+1 866 575 1307 

service@phillips-safety.com 

www.phillips-safety.com 