

ASSEMBLY INSTRUCTIONS

CLEARCHEST™ POSITIONING BAR



ABOUT PHILLIPS SAFETY

Phillips Safety is the industry leader in occupational safety eyewear. In business for over 100 years, you are being served with the dedication and craftsmanship of a family owned company.

Phillips Safety has been producing occupational safety glasses since 1905 and continues to develop and produce the highest quality glasses and lenses today. A leading manufacturer of specialty safety eyewear in the United States, Phillips Safety adheres to strict ANSI Z87-2+ and EN 207 CE standard certifications, holding itself to the highest

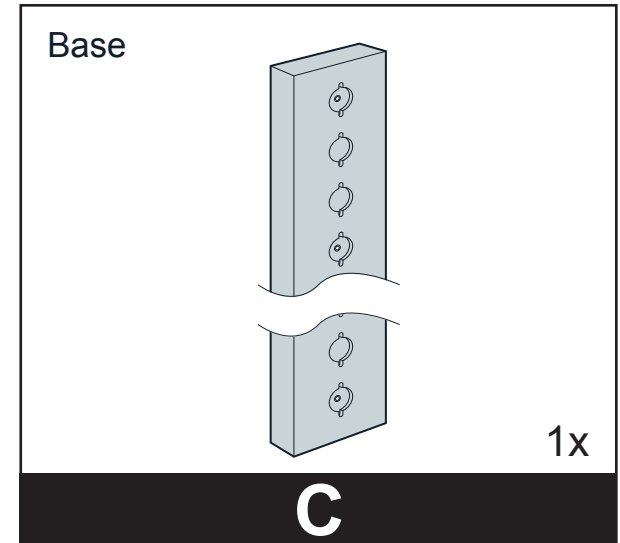
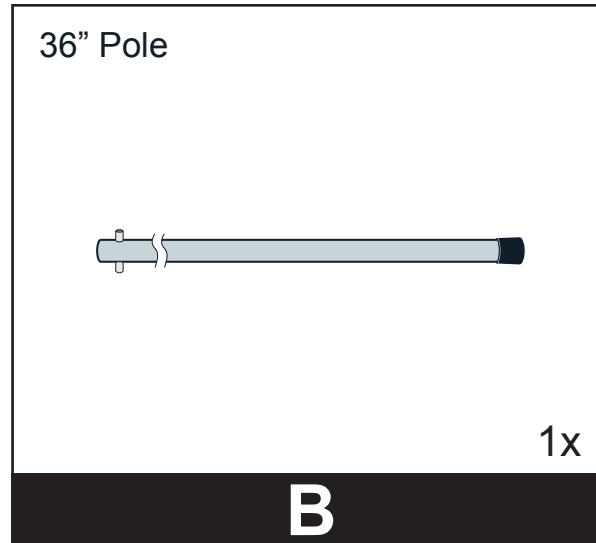
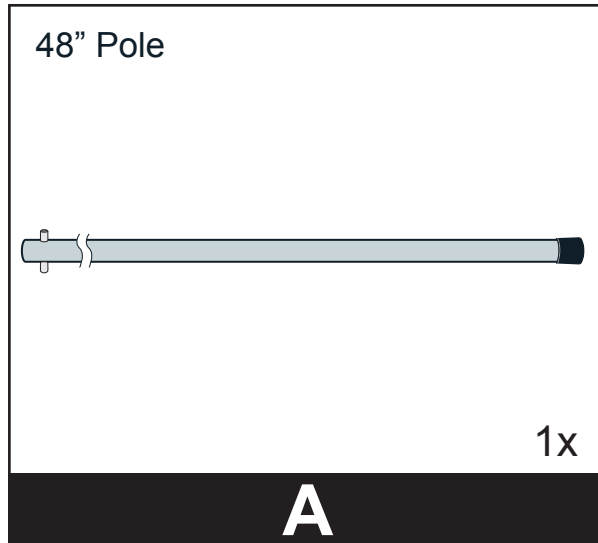
standard and prides itself on producing glasses with the finest quality materials available.

All safety glasses produced and sold by Phillips Safety meet strict industry standards for military, medical, research laboratories, and a variety of other industries.

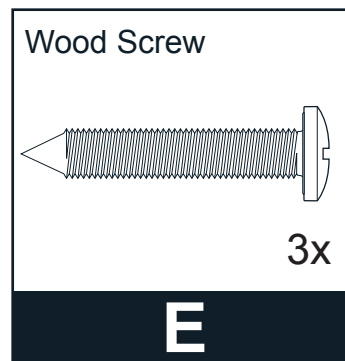
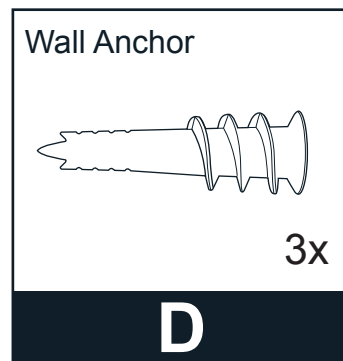
With Phillips Safety's dedicated team, you can rest assured knowing that all your prescription safety needs are met.

PARTS & TOOLS INCLUDED FOR ASSEMBLY

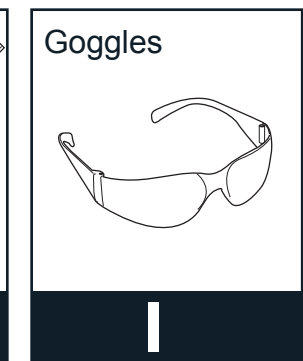
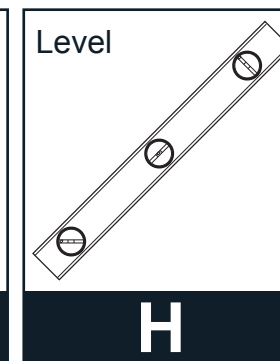
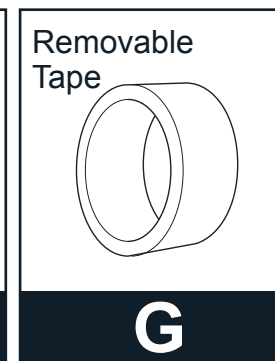
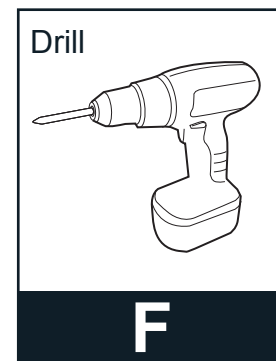
BOX 1



SUGGESTED HARDWARE



TOOLS REQUIRED

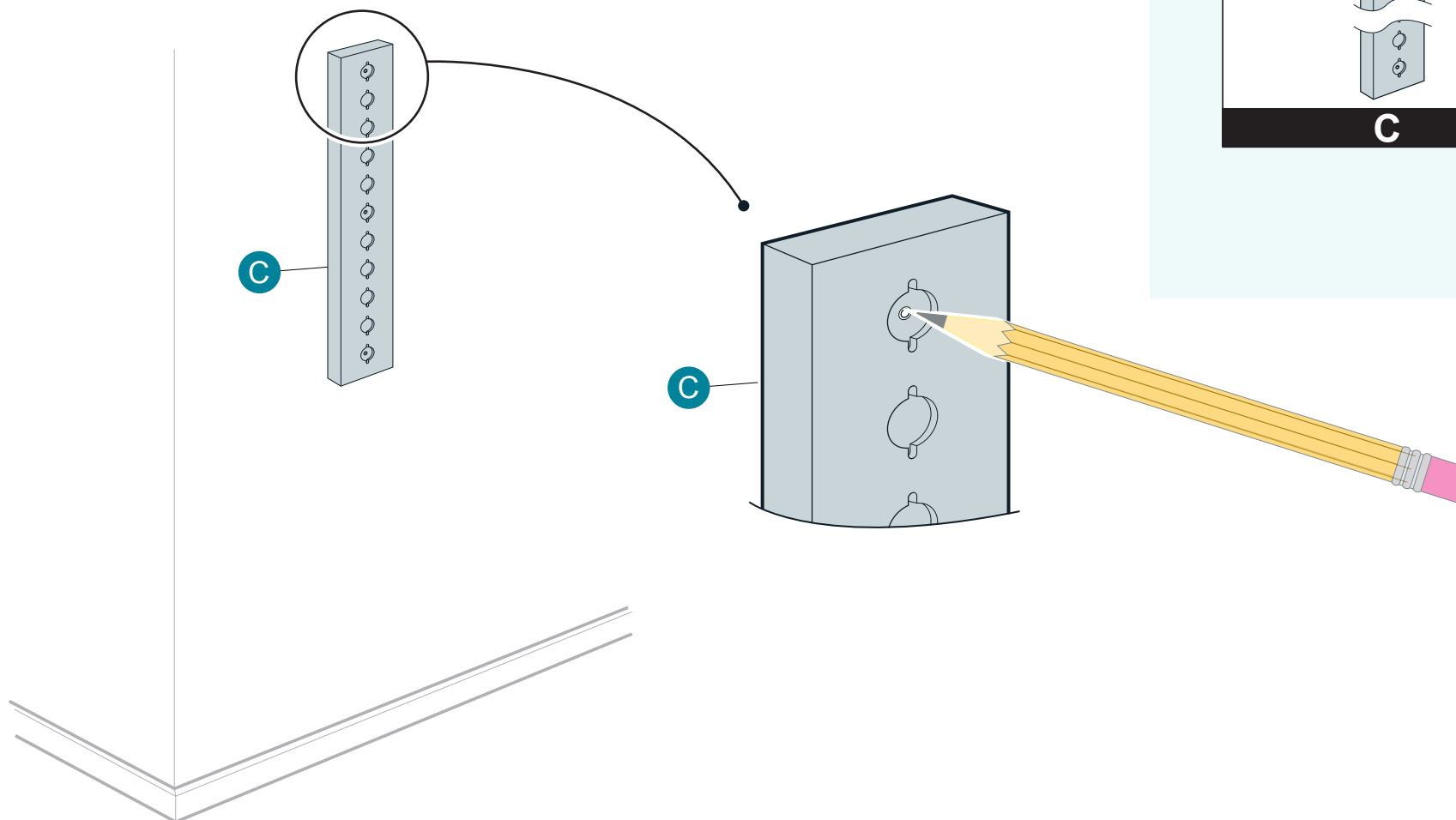


ASSEMBLY INSTRUCTIONS CLEARCHEST™ POSITIONING BAR

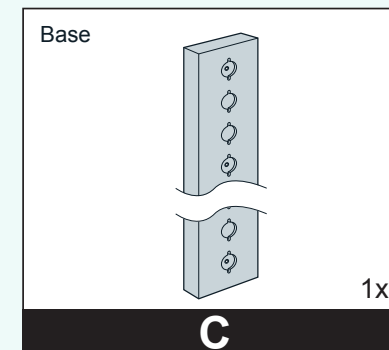
STEP 1

1. With the patient's body position in mind, select an appropriate location on wall to mount the Base **C**.

Temporarily hold Base **C** against wall and mark top hole with a pencil.



PARTS NEEDED:



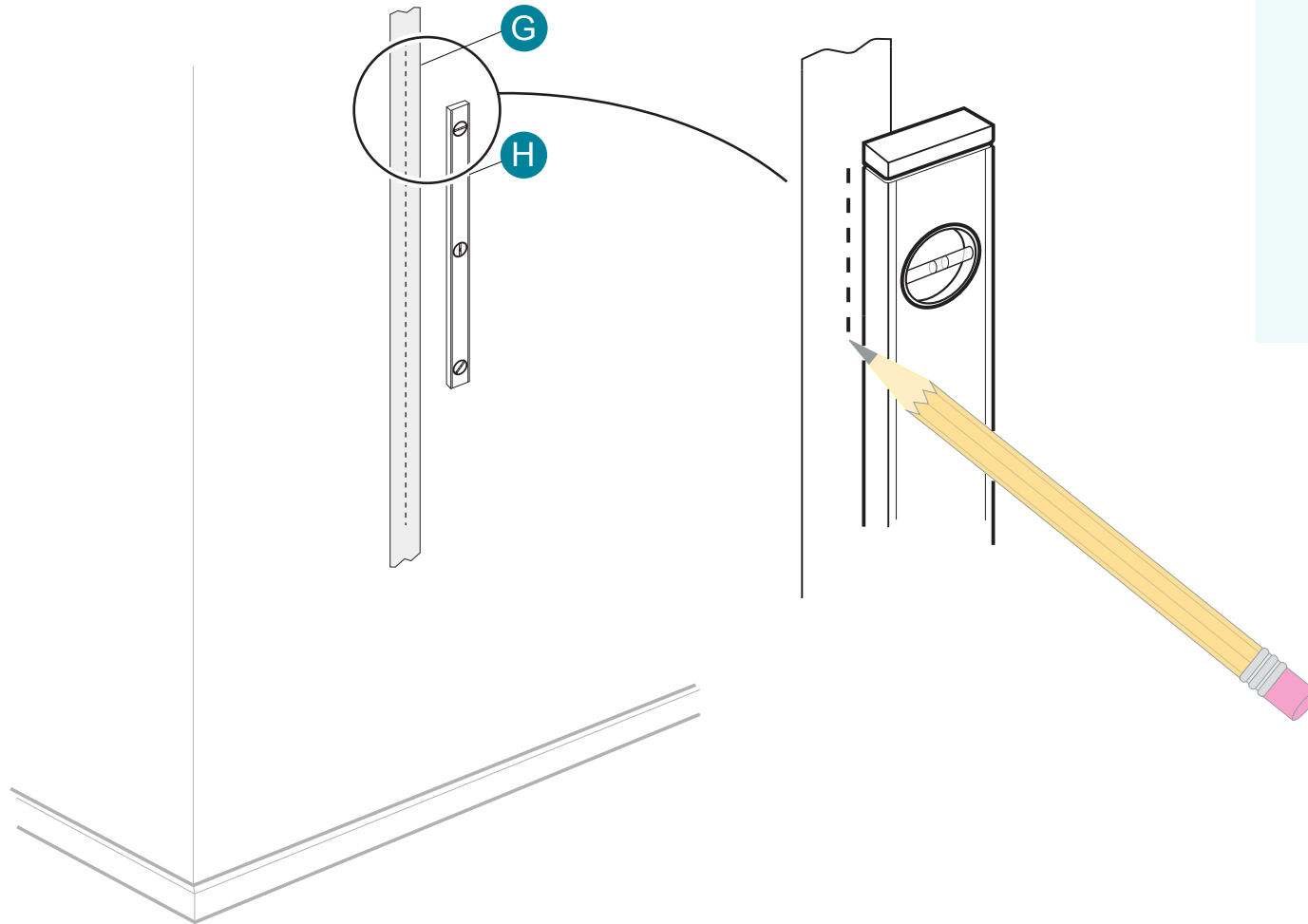
BASE

ASSEMBLY INSTRUCTIONS
CLEARCHEST™ POSITIONING BAR

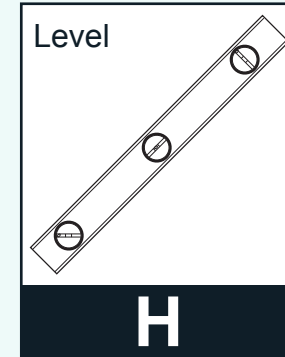
STEP 2

2. Place a strip of Tape **G** over the pencil mark and position it straight down. Tape will help protect wall surface.

Lay the Level **H** over the Tape **G** and draw a straight line.



PARTS NEEDED:



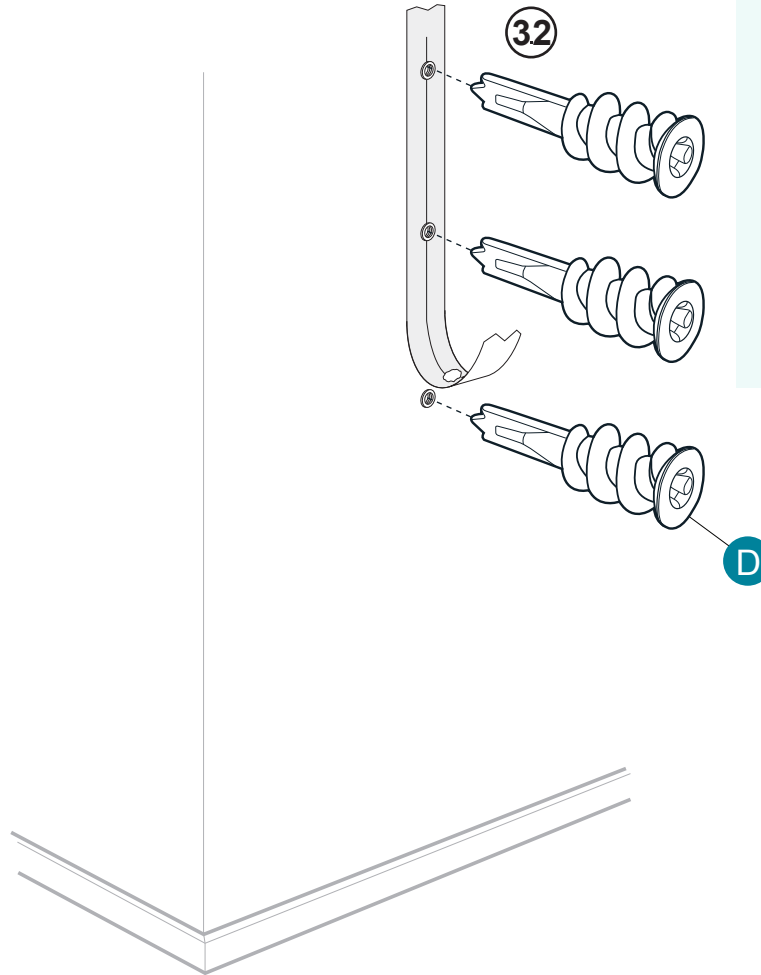
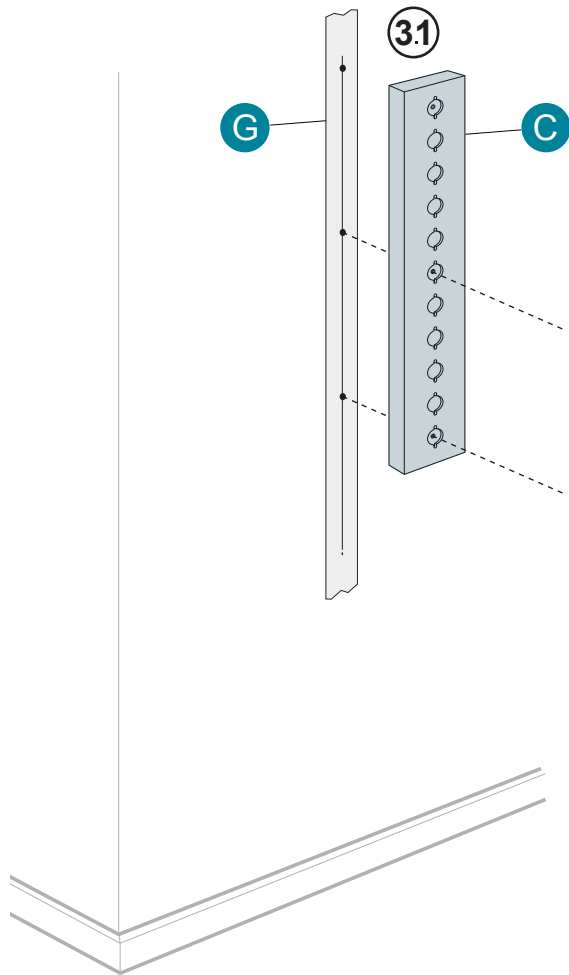
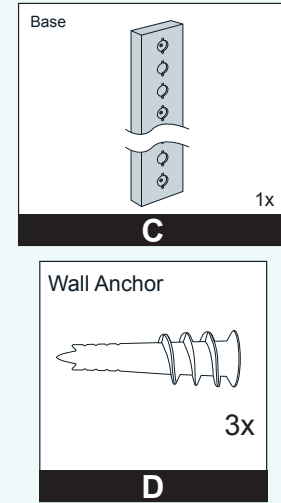
BASE

ASSEMBLY INSTRUCTIONS
CLEARCHEST™ POSITIONING BAR

STEP 3

- 3.1 Temporarily hold the Base **C** against the Tape **G** and align with the top pencil mark.
Mark the middle and bottom hole
- 3.2 Drill the three holes, install the **D** Wall Anchors and remove the Tape.

PARTS NEEDED:

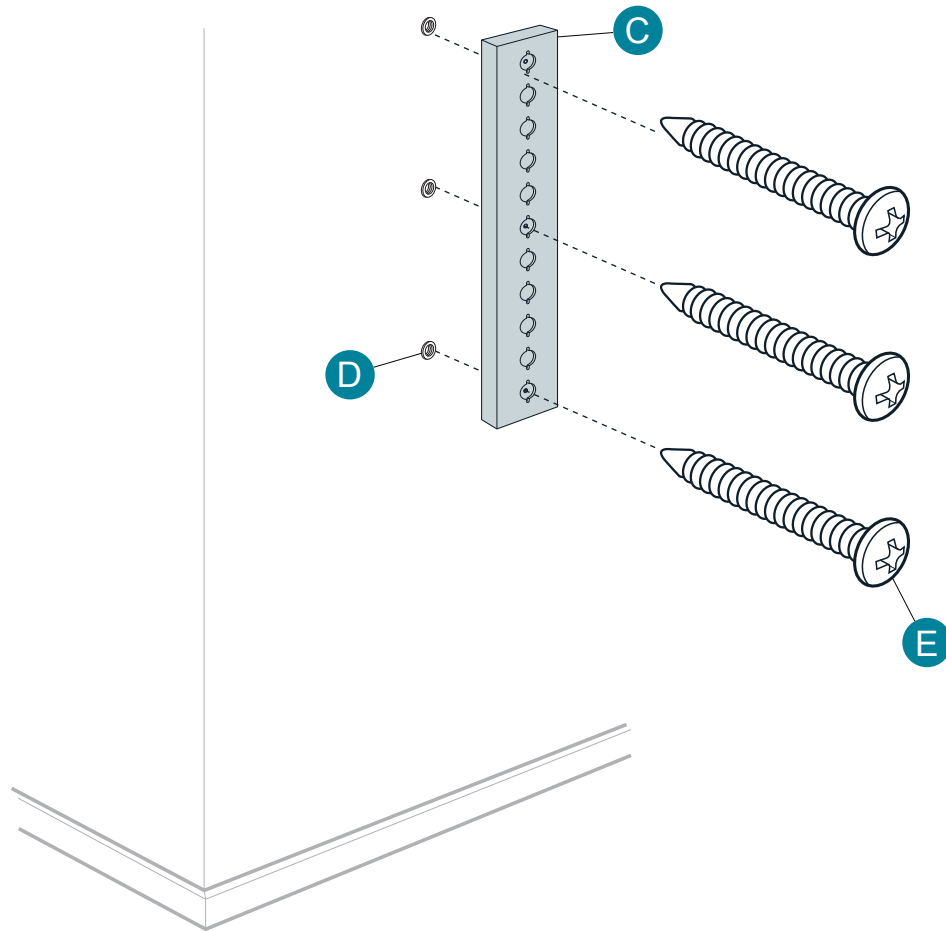


BASE

ASSEMBLY INSTRUCTIONS
CLEARCHEST™ POSITIONING BAR

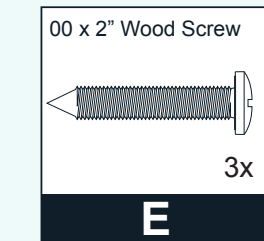
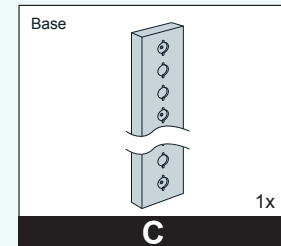
STEP 4

4. Secure Base **C** to wall by inserting Screws **E** into Wall Anchors **D**.



BASE

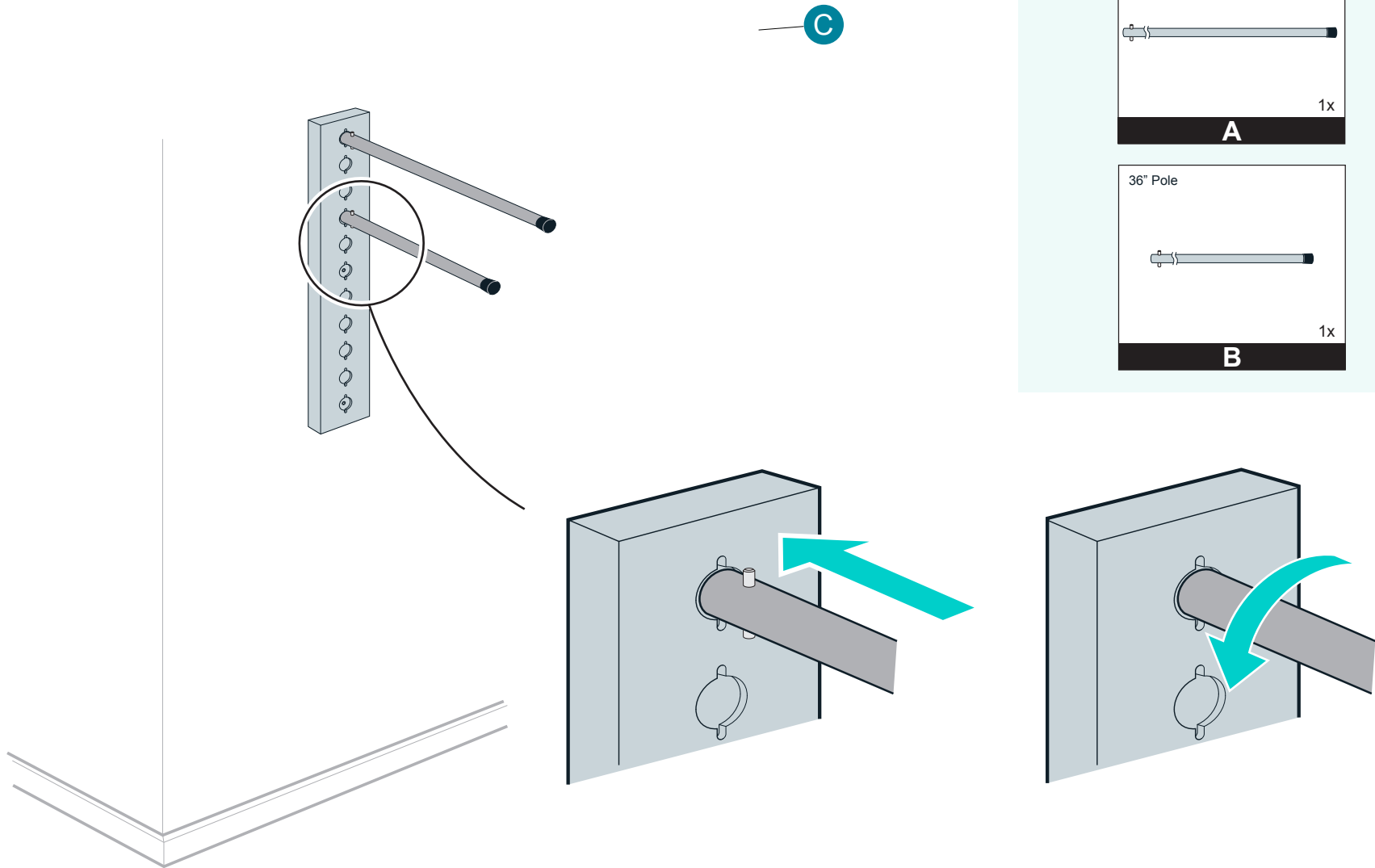
PARTS NEEDED:



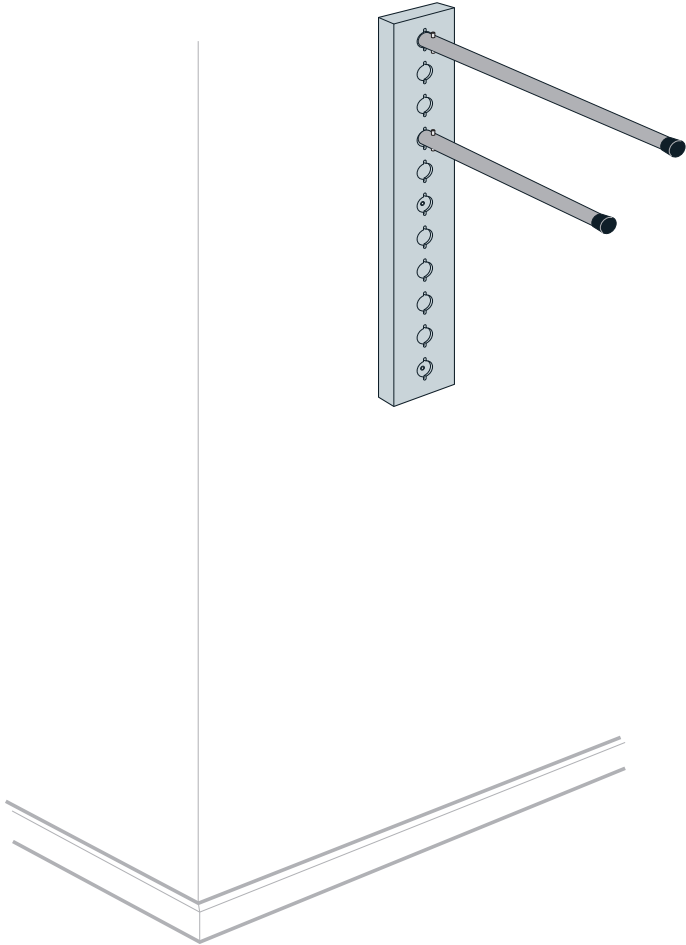
ASSEMBLY INSTRUCTIONS
CLEARCHEST™ POSITIONING BAR

STEP 5

5. Insert either Bar **A** -or- **B** into Base **C** and rotate 1/4 turn.



POLES



CONTACT

Should you need any further information,
please do not hesitate to contact us.

123 Lincoln Blvd, Middlesex, NJ 08845, USA 

+1 (866) 757 1307 

service@phillips-safety.com 

www.phillips-safety.com 