

# LASER SAFETY FACE SHIELD FOR ND:YAG

PRODUCT INFORMATION

[PHILLIPS-SAFETY.COM](http://PHILLIPS-SAFETY.COM)

COPYRIGHT ©2025. ALL RIGHTS RESERVED



**PHILLIPS SAFETY**  
PRODUCTS INC.

**PRODUCT INFORMATION**  
LASER SAFETY FACE SHIELD FOR ND:YAG



The Laser Safety Face Shield for ND:YAG applications provides protection for the face and eyes. The FSD face shield provides maximum protection and features an adjustable head strap and a ratcheting nape strap for custom fit. Pivot action allows shield to be lifted while worn. Plus, it is available in green curved polycarbonate lens.

**SPECIFICATION**

**OD 4+@200-400nm**

**OD 3 @808-1090nm**

**OD 4+@840-1070nm**

**OD 6+@1064nm**

**OD 5+@9000-10600nm**

**VLT: 70%**

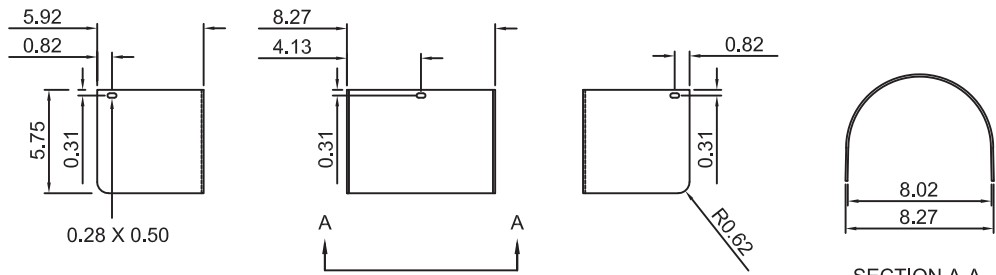
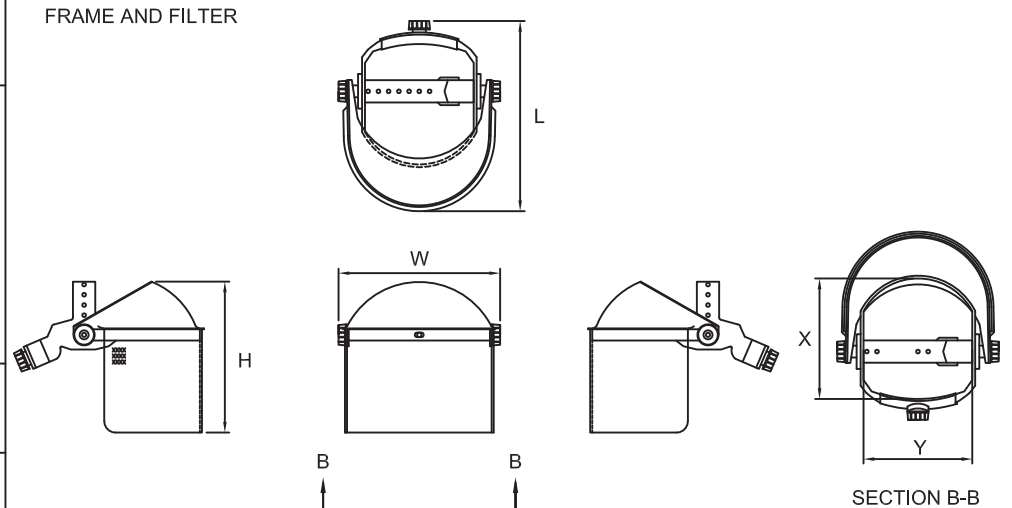



**LENS COLOR: Green**

**LASER FILTER TYPE: YAG**

**SHIELD MATERIAL: Polycarbonate**

# PRODUCT INFORMATION

## LASER SAFETY FACE SHIELD FOR ND:YAG

FILTER - 5100U	COMPANY NAME (PLEASE PRINT): CUSTOMER APPROVAL: DATE:																																																			
HEADSET - FSD FINISH: MATTE COLOR: BLACK HEADGEAR: ADJUSTABLE, PADDED	<b>FILTER</b> 																																																			
<b>GENERAL DIMENSIONS</b> UNIT OF MEASURE: INCHES [mm] L: 9.0 [228] W: 11.0 [279] H: 9.0 [228] X: 6.4-8.2 [165-209] ADJUSTABLE Y: 6.3 [161] LENS THICKNESS: 0.125 [3]	<b>FRAME AND FILTER</b> 																																																			
<b>ENGRAVING NOTES:</b> 1. TEXT HEIGHT: 0.10 INCHES. 2. KENTEK WILL PROVIDE LOT NUMBER WITH EACH ORDER. 3. ENGRAVING AREAS INDICATED BY XXX	<b>ENGRAVING DETAIL:</b> 1. RIGHT SIDE: Phillips-Safety.com Lot xxx OD 4+ @ 200-400nm OD 3 @ 808-1090nm OD 6+ @ 840-1070nm OD 7+ @ 1064nm OD 5+ @ 9000-10600nm VLT 70% Wear in conjunction with safety eyewear.																																																			
<b>ITEMIZED LIST:</b> 1. FSD 2. KENTEK FILTER 5100U	<b>PACKAGING:</b> 1. PLACE UNIT INSIDE 14x18 INCH POLY BAG 2. PLACE 4260-0114 CLEANING CLOTH, CUSTOM CASE CARD AND 4260-0120 DFU INSIDE 4x6 POLY BAG 3. TAPE 4x6 BAG TO 14x18 BAG																																																			
PENDING APPROVAL																																																				
THIS DOCUMENT IS PROPERTY OF THE KENTEK CORPORATION AND IS CONSIDERED COMPANY CONFIDENTIAL. THE REPRODUCTION OR USE OF INFORMATION IN THIS DOCUMENT, COMPLETE OR IN PART, IS EXPRESSLY PROHIBITED WITHOUT WRITTEN CONFIRMATION FROM A PRINCIPAL MEMBER OF MANAGEMENT AT KENTEK CORPORATION.																																																				
<table border="1"> <thead> <tr> <th>REVISION</th> <th>DESCRIPTION</th> </tr> </thead> <tbody> <tr> <td>A</td> <td>Original</td> </tr> <tr> <td>B</td> <td>07-20-20 wfs Move all engraving to right side; per BGS</td> </tr> <tr> <td>-</td> <td>-</td> </tr> <tr> <td>-</td> <td>-</td> </tr> </tbody> </table>	REVISION	DESCRIPTION	A	Original	B	07-20-20 wfs Move all engraving to right side; per BGS	-	-	-	-	<table border="1"> <tr> <td>DRAWN BY:</td> <td>WFS</td> <td>DATE:</td> <td>07-24-19</td> </tr> <tr> <td>APPROVED BY:</td> <td>BGS</td> <td>DATE:</td> <td>07-24-19</td> </tr> <tr> <td>SCALE:</td> <td></td> <td>FINISH:</td> <td></td> </tr> <tr> <td colspan="4">           TOLERANCES: UNLESS OTHERWISE NOTED            IMPERIAL TABLE   METRIC TABLE         </td> </tr> <tr> <td colspan="4" style="text-align: center;">DO NOT SCALE DRAWING</td> </tr> </table>	DRAWN BY:	WFS	DATE:	07-24-19	APPROVED BY:	BGS	DATE:	07-24-19	SCALE:		FINISH:		TOLERANCES: UNLESS OTHERWISE NOTED IMPERIAL TABLE   METRIC TABLE				DO NOT SCALE DRAWING				<table border="1"> <tr> <td colspan="2" style="text-align: center;">   <small>Lasers People Helping Laser People™</small> </td> <td colspan="2">           32 Broadway            Pittsfield, N.H. 03263            P: 800-432-2323            F: 603-435-7441         </td> </tr> <tr> <td colspan="2">           kenteklaserstore.com   info@kenteklaserstore.com         </td> <td>           PART NUMBER: C54-FSD-5100U         </td> <td>           REV: B         </td> </tr> <tr> <td colspan="2">           MANUFACTURING: X         </td> <td colspan="2">           DESCRIPTION: Nd:YAG FACE SHIELD         </td> </tr> <tr> <td colspan="2">           QUALITY CONTROL: X         </td> <td colspan="2">           DRAWING TYPE: PRODUCTION / ASSEMBLY         </td> </tr> <tr> <td colspan="2">           SALES REFERENCE:         </td> <td colspan="2">           DRAWING NUMBER: C54-FSD-5100         </td> </tr> </table>	 <small>Lasers People Helping Laser People™</small>		32 Broadway Pittsfield, N.H. 03263 P: 800-432-2323 F: 603-435-7441		kenteklaserstore.com   info@kenteklaserstore.com		PART NUMBER: C54-FSD-5100U	REV: B	MANUFACTURING: X		DESCRIPTION: Nd:YAG FACE SHIELD		QUALITY CONTROL: X		DRAWING TYPE: PRODUCTION / ASSEMBLY		SALES REFERENCE:		DRAWING NUMBER: C54-FSD-5100	
REVISION	DESCRIPTION																																																			
A	Original																																																			
B	07-20-20 wfs Move all engraving to right side; per BGS																																																			
-	-																																																			
-	-																																																			
DRAWN BY:	WFS	DATE:	07-24-19																																																	
APPROVED BY:	BGS	DATE:	07-24-19																																																	
SCALE:		FINISH:																																																		
TOLERANCES: UNLESS OTHERWISE NOTED IMPERIAL TABLE   METRIC TABLE																																																				
DO NOT SCALE DRAWING																																																				
 <small>Lasers People Helping Laser People™</small>		32 Broadway Pittsfield, N.H. 03263 P: 800-432-2323 F: 603-435-7441																																																		
kenteklaserstore.com   info@kenteklaserstore.com		PART NUMBER: C54-FSD-5100U	REV: B																																																	
MANUFACTURING: X		DESCRIPTION: Nd:YAG FACE SHIELD																																																		
QUALITY CONTROL: X		DRAWING TYPE: PRODUCTION / ASSEMBLY																																																		
SALES REFERENCE:		DRAWING NUMBER: C54-FSD-5100																																																		

# PRODUCT INFORMATION

## LASER SAFETY FACE SHIELD FOR ND:YAG

**Table of OD Values for Filter Number 5100U**

October 26, 2023 Page 1 of 2

COLOR: green  
 TRANSMISSION: VLT 70  
 MARKINGS: OD 4+ @ 200-400nm OD 3 @ 808-1070nm OD 4+ @ 860-1070nm OD 6+ @ 1064nm OD 5+ @ 10600nm



NOTE: OD values below are average minimum values of representative lots of filter material according to manufacturing specifications. They are not guaranteed minimums for every lens. Minimum protection values will be specified on each product.

nm	OD	nm	OD	nm	OD	nm	OD	nm	OD	nm	OD	nm	OD	nm	OD	nm	OD
200	7+	255	7+	310	7+	365	6.68	420	5.67	475	0.88	530	0.62	585	0.57	640	0.72
201	7+	256	7+	311	7+	366	6.51	421	5.61	476	0.86	531	0.61	586	0.58	641	0.73
202	7+	257	7+	312	7+	367	6.35	422	5.54	477	0.85	532	0.61	587	0.58	642	0.73
203	7+	258	7+	313	7+	368	6.22	423	5.47	478	0.84	533	0.60	588	0.58	643	0.74
204	7+	259	7+	314	7+	369	6.10	424	5.40	479	0.83	534	0.60	589	0.58	644	0.74
205	7+	260	7+	315	7+	370	6.00	425	5.32	480	0.82	535	0.60	590	0.58	645	0.75
206	7+	261	7+	316	7+	371	5.92	426	5.24	481	0.82	536	0.59	591	0.58	646	0.76
207	7+	262	7+	317	7+	372	5.85	427	5.16	482	0.81	537	0.59	592	0.58	647	0.76
208	7+	263	7+	318	7+	373	5.79	428	5.08	483	0.81	538	0.59	593	0.58	648	0.77
209	7+	264	7+	319	7+	374	5.75	429	5.00	484	0.80	539	0.59	594	0.59	649	0.77
210	7+	265	7+	320	7+	375	5.72	430	4.92	485	0.80	540	0.58	595	0.59	650	0.78
211	7+	266	7+	321	7+	376	5.69	431	4.84	486	0.80	541	0.58	596	0.59	651	0.78
212	7+	267	7+	322	7+	377	5.67	432	4.76	487	0.80	542	0.58	597	0.59	652	0.79
213	7+	268	7+	323	7+	378	5.68	433	4.68	488	0.79	543	0.58	598	0.59	653	0.80
214	7+	269	7+	324	7+	379	5.70	434	4.60	489	0.79	544	0.58	599	0.59	654	0.80
215	7+	270	7+	325	7+	380	5.72	435	4.52	490	0.79	545	0.57	600	0.60	655	0.81
216	7+	271	7+	326	7+	381	5.74	436	4.44	491	0.79	546	0.57	601	0.60	656	0.81
217	7+	272	7+	327	7+	382	5.76	437	4.36	492	0.79	547	0.57	602	0.60	657	0.82
218	7+	273	7+	328	7+	383	5.79	438	4.28	493	0.79	548	0.57	603	0.60	658	0.83
219	7+	274	7+	329	7+	384	5.82	439	4.18	494	0.79	549	0.57	604	0.60	659	0.83
220	7+	275	7+	330	7+	385	5.85	440	4.08	495	0.79	550	0.57	605	0.61	660	0.84
221	7+	276	7+	331	7+	386	5.89	441	3.98	496	0.79	551	0.57	606	0.61	661	0.85
222	7+	277	7+	332	7+	387	5.93	442	3.85	497	0.79	552	0.56	607	0.61	662	0.86
223	7+	278	7+	333	7+	388	5.97	443	3.73	498	0.79	553	0.56	608	0.61	663	0.86
224	7+	279	7+	334	7+	389	6.01	444	3.59	499	0.79	554	0.56	609	0.62	664	0.87
225	7+	280	7+	335	7+	390	6.05	445	3.44	500	0.78	555	0.56	610	0.62	665	0.88
226	7+	281	7+	336	7+	391	6.10	446	3.28	501	0.78	556	0.56	611	0.62	666	0.89
227	7+	282	7+	337	7+	392	6.14	447	3.13	502	0.78	557	0.56	612	0.62	667	0.89
228	7+	283	7+	338	7+	393	6.18	448	2.97	503	0.77	558	0.56	613	0.63	668	0.90
229	7+	284	7+	339	7+	394	6.23	449	2.81	504	0.77	559	0.56	614	0.63	669	0.91
230	7+	285	7+	340	7+	395	6.27	450	2.65	505	0.76	560	0.56	615	0.63	670	0.92
231	7+	286	7+	341	7+	396	6.30	451	2.50	506	0.76	561	0.56	616	0.63	671	0.93
232	7+	287	7+	342	7+	397	6.34	452	2.35	507	0.75	562	0.56	617	0.64	672	0.93
233	7+	288	7+	343	7+	398	6.38	453	2.22	508	0.75	563	0.56	618	0.64	673	0.94
234	7+	289	7+	344	7+	399	6.40	454	2.09	509	0.74	564	0.56	619	0.64	674	0.95
235	7+	290	7+	345	7+	400	6.43	455	1.97	510	0.73	565	0.56	620	0.65	675	0.96
236	7+	291	7+	346	7+	401	6.45	456	1.86	511	0.73	566	0.56	621	0.65	676	0.97
237	7+	292	7+	347	7+	402	6.46	457	1.75	512	0.72	567	0.56	622	0.65	677	0.98
238	7+	293	7+	348	7+	403	6.46	458	1.66	513	0.71	568	0.56	623	0.66	678	0.99
239	7+	294	7+	349	7+	404	6.46	459	1.57	514	0.71	569	0.56	624	0.66	679	1.00
240	7+	295	7+	350	7+	405	6.44	460	1.49	515	0.70	570	0.56	625	0.66	680	1.01
241	7+	296	7+	351	7+	406	6.43	461	1.42	516	0.69	571	0.56	626	0.67	681	1.02
242	7+	297	7+	352	7+	407	6.40	462	1.35	517	0.69	572	0.56	627	0.67	682	1.03
243	7+	298	7+	353	7+	408	6.37	463	1.29	518	0.68	573	0.56	628	0.67	683	1.04
244	7+	299	7+	354	7+	409	6.33	464	1.24	519	0.67	574	0.56	629	0.68	684	1.05
245	7+	300	7+	355	7+	410	6.28	465	1.19	520	0.67	575	0.57	630	0.68	685	1.06
246	7+	301	7+	356	7+	411	6.23	466	1.14	521	0.66	576	0.57	631	0.68	686	1.07
247	7+	302	7+	357	7+	412	6.17	467	1.10	522	0.66	577	0.57	632	0.69	687	1.08
248	7+	303	7+	358	7+	413	6.10	468	1.06	523	0.65	578	0.57	633	0.69	688	1.09
249	7+	304	7+	359	7+	414	6.05	469	1.02	524	0.64	579	0.57	634	0.70	689	1.10
250	7+	305	7+	360	7+	415	5.98	470	0.99	525	0.64	580	0.57	635	0.70	690	1.12
251	7+	306	7+	361	7+	416	5.92	471	0.96	526	0.63	581	0.57	636	0.71	691	1.13
252	7+	307	7+	362	7+	417	5.85	472	0.94	527	0.63	582	0.57	637	0.71	692	1.14
253	7+	308	7+	363	7+	418	5.79	473	0.91	528	0.62	583	0.57	638	0.71	693	1.15
254	7+	309	7+	364	6.89	419	5.73	474	0.89	529	0.62	584	0.57	639	0.72	694	1.16

**PRODUCT INFORMATION**  
**LASER SAFETY FACE SHIELD FOR ND:YAG**

**Table of OD Values for Filter Number 5100U**

October 26, 2023 Page 2 of 2

COLOR: green  
 TRANSMISSION: VLT 70  
 MARKINGS: OD 4+ @ 200-400nm OD 3 @ 808-1070nm OD 4+ @ 860-1070nm OD 6+ @ 1064nm OD 5+ @ 10600nm



NOTE: OD values below are average minimum values of representative lots of filter material according to manufacturing specifications. They are not guaranteed minimums for every lens. Minimum protection values will be specified on each product.

nm	OD	nm	OD	nm	OD	nm	OD	nm	OD	nm	OD	nm	OD	nm	OD	nm	OD		
750	2.18	805	3.97	860	6.21	915	7+	970	7+	1025	7+	1080	4.85	1135	1.61	1190	0.70	3450	-
751	2.21	806	4.00	861	6.21	916	7+	971	7+	1026	7+	1081	4.75	1136	1.58	1191	0.69	3500	-
752	2.23	807	4.04	862	6.21	917	7+	972	7+	1027	7+	1082	4.66	1137	1.55	1192	0.68	3550	-
753	2.26	808	4.08	863	6.21	918	7+	973	7+	1028	7+	1083	4.57	1138	1.52	1193	0.67	3600	-
754	2.29	809	4.11	864	6.21	919	7+	974	7+	1029	7+	1084	4.47	1139	1.50	1194	0.66	3650	-
755	2.31	810	4.15	865	6.21	920	7+	975	7+	1030	7+	1085	4.39	1140	1.47	1195	0.65	3700	-
756	2.34	811	4.18	866	6.21	921	7+	976	7+	1031	7+	1086	4.30	1141	1.44	1196	0.64	3750	-
757	2.37	812	4.22	867	6.21	922	7+	977	7+	1032	7+	1087	4.21	1142	1.42	1197	0.64	3800	-
758	2.40	813	4.25	868	6.21	923	7+	978	7+	1033	7+	1088	4.12	1143	1.40	1198	0.63	3850	-
759	2.42	814	4.29	869	6.21	924	7+	979	7+	1034	7+	1089	4.04	1144	1.37	1199	0.62	3900	-
760	2.45	815	4.33	870	6.22	925	7+	980	7+	1035	7+	1090	3.96	1145	1.35	1200	0.61	3950	-
761	2.48	816	4.36	871	6.26	926	7+	981	7+	1036	7+	1091	3.88	1146	1.33	1250	-	4000	-
762	2.51	817	4.40	872	6.30	927	7+	982	7+	1037	7+	1092	3.80	1147	1.31	1300	-	4050	-
763	2.54	818	4.43	873	6.33	928	7+	983	7+	1038	7+	1093	3.72	1148	1.29	1350	-	4100	-
764	2.57	819	4.47	874	6.37	929	7+	984	7+	1039	7+	1094	3.64	1149	1.26	1400	-	4150	-
765	2.60	820	4.50	875	6.40	930	7+	985	7+	1040	7+	1095	3.57	1150	1.24	1450	-	4200	-
766	2.63	821	4.54	876	6.44	931	7+	986	7+	1041	7+	1096	3.49	1151	1.22	1500	-	4250	-
767	2.66	822	4.57	877	6.48	932	7+	987	7+	1042	7+	1097	3.42	1152	1.21	1550	-	4300	-
768	2.69	823	4.61	878	6.51	933	7+	988	7+	1043	7+	1098	3.35	1153	1.19	1600	-	4350	-
769	2.72	824	4.64	879	6.55	934	7+	989	7+	1044	7+	1099	3.28	1154	1.17	1650	-	4400	-
770	2.75	825	4.68	880	6.59	935	7+	990	7+	1045	7+	1100	3.22	1155	1.15	1700	-	4450	-
771	2.79	826	4.71	881	6.62	936	7+	991	7+	1046	7+	1101	3.15	1156	1.14	1750	-	4500	-
772	2.82	827	4.74	882	6.66	937	7+	992	7+	1047	7+	1102	3.08	1157	1.12	1800	-	4550	-
773	2.85	828	4.78	883	6.69	938	7+	993	7+	1048	7+	1103	3.02	1158	1.11	1850	-	4600	-
774	2.88	829	4.81	884	6.73	939	7+	994	7+	1049	7+	1104	2.96	1159	1.09	1900	-	4650	-
775	2.92	830	4.84	885	6.76	940	7+	995	7+	1050	7+	1105	2.90	1160	1.08	1950	-	4700	-
776	2.95	831	4.88	886	6.80	941	7+	996	7+	1051	7+	1106	2.84	1161	1.06	2000	-	4750	-
777	2.98	832	4.91	887	6.83	942	7+	997	7+	1052	7+	1107	2.78	1162	1.05	2050	-	4800	-
778	3.02	833	4.95	888	6.86	943	7+	998	7+	1053	7+	1108	2.73	1163	1.04	2100	-	4850	-
779	3.05	834	4.98	889	6.90	944	7+	999	7+	1054	7+	1109	2.67	1164	1.02	2150	-	4900	-
780	3.08	835	5.01	890	6.93	945	7+	1000	7+	1055	7+	1110	2.62	1165	1.01	2200	-	4950	-
781	3.12	836	5.04	891	6.96	946	7+	1001	7+	1056	7+	1111	2.56	1166	1.00	2250	-	5000	6.99
782	3.15	837	5.08	892	7.00	947	7+	1002	7+	1057	7+	1112	2.51	1167	0.98	2300	-	5050	6.99
783	3.18	838	5.11	893	7.03	948	7+	1003	7+	1058	7+	1113	2.46	1168	0.97	2350	-	5100	6.99
784	3.22	839	5.14	894	7.06	949	7+	1004	7+	1059	7+	1114	2.41	1169	0.96	2400	-	5150	6.99
785	3.25	840	5.18	895	7.09	950	7+	1005	7+	1060	7.09	1115	2.36	1170	0.95	2450	-	5200	6.99
786	3.29	841	5.21	896	7.12	951	7+	1006	7+	1061	6.97	1116	2.31	1171	0.93	2500	-	9000	6.99
787	3.32	842	5.24	897	7.15	952	7+	1007	7+	1062	6.84	1117	2.27	1172	0.92	2550	-	10600	6.99
788	3.36	843	5.27	898	7.18	953	7+	1008	7+	1063	6.72	1118	2.22	1173	0.91	2600	-	11000	6.99
789	3.39	844	5.30	899	7.21	954	7+	1009	7+	1064	6.60	1119	2.18	1174	0.90	2650	-		
790	3.43	845	5.33	900	7.24	955	7+	1010	7+	1065	6.48	1120	2.14	1175	0.88	2700	-		
791	3.46	846	5.36	901	7.27	956	7+	1011	7+	1066	6.36	1121	2.10	1176	0.87	2750	-		
792	3.50	847	5.39	902	7.30	957	7+	1012	7+	1067	6.24	1122	2.06	1177	0.86	2800	-		
793	3.53	848	5.42	903	7.33	958	7+	1013	7+	1068	6.12	1123	2.02	1178	0.85	2850	-		
794	3.57	849	5.45	904	7.36	959	7+	1014	7+	1069	6.00	1124	1.98	1179	0.84	2900	-		
795	3.61	850	5.48	905	7.39	960	7+	1015	7+	1070	5.88	1125	1.94	1180	0.82	2950	-		
796	3.64	851	5.51	906	7.42	961	7+	1016	7+	1071	5.76	1126	1.90	1181	0.81	3000	-		
797	3.68	852	5.54	907	7.45	962	7+	1017	7+	1072	5.64	1127	1.87	1182	0.79	3050	-		
798	3.71	853	5.57	908	7.48	963	7+	1018	7+	1073	5.52	1128	1.83	1183	0.78	3100	-		
799	3.75	854	5.60	909	7.51	964	7+	1019	7+	1074	5.40	1129	1.80	1184	0.77	3150	-		
800	3.79	855	5.63	910	7.54	965	7+	1020	7+	1075	5.28	1130	1.77	1185	0.75	3200	-		
801	3.82	856	5.66	911	7.57	966	7+	1021	7+	1076	5.16	1131	1.73	1186	0.74	3250	-		
802	3.86	857	5.69	912	7.60	967	7+	1022	7+	1077	5.04	1132	1.70	1187	0.73	3300	-		
803	3.89	858	5.72	913	7.63	968	7+	1023	7+	1078	4.92	1133	1.67	1188	0.72	3350	-		
804	3.93	859	5.75	914	7.66	969	7+	1024	7+	1079	4.80	1134	1.64	1189	0.71	3400	-		

# CONTACT

Should you need any further information,  
please do not hesitate to contact us.

123 Lincoln Blvd, Middlesex, NJ 08846, USA 

+1 (866) 575 1307 

service@phillips-safety.com 

www.phillips-safety.com 