

LASER SAFETY FACE SHIELD FOR ND:YAG

PRODUCT INFORMATION

PHILLIPS-SAFETY.COM

COPYRIGHT ©2025. ALL RIGHTS RESERVED



PHILLIPS SAFETY
PRODUCTS INC.

PRODUCT INFORMATION
LASER SAFETY FACE SHIELD FOR ND:YAG



The Laser Safety Face Shield for ND:YAG applications provides protection for the face and eyes. The FSD face shield provides maximum protection and features an adjustable head strap and a ratcheting nape strap for custom fit. Pivot action allows shield to be lifted while worn. Plus, it is available in green curved polycarbonate lens.

SPECIFICATION

OD 4+@200-400nm

OD 3 @808-1090nm

OD 6+@840-1070nm

OD 7+@1064nm

OD 5+@9000-10600nm

VLT: 70%

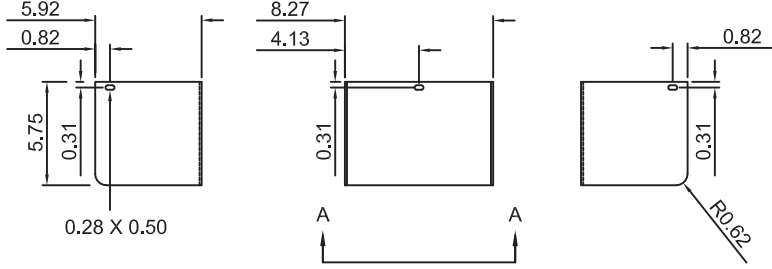
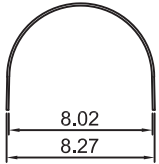
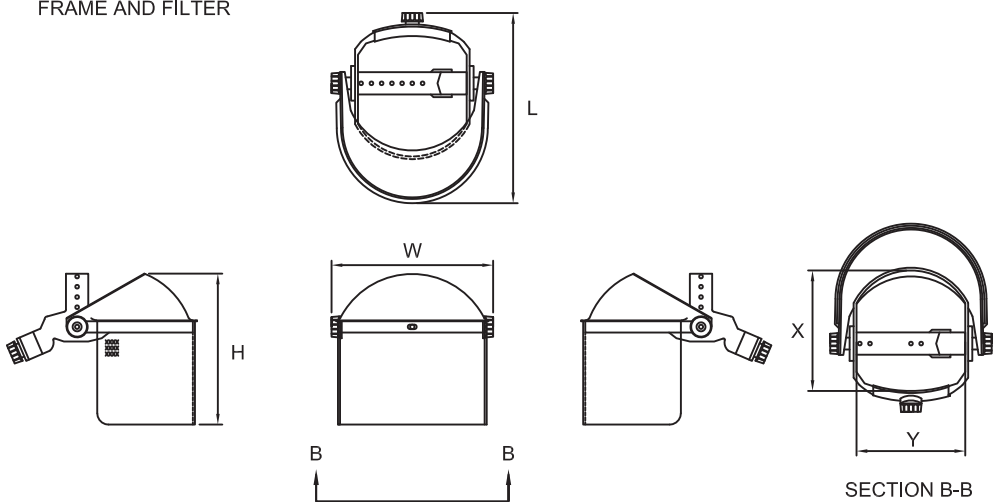
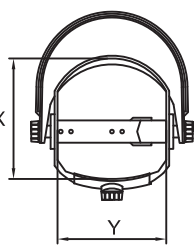
LENS COLOR: Green

LASER FILTER TYPE: YAG

SHIELD MATERIAL: Polycarbonate

PRODUCT INFORMATION

LASER SAFETY FACE SHIELD FOR ND:YAG

<p>FILTER - 5100U</p>	<p>FILTER</p> 		<p>COMPANY NAME (PLEASE PRINT):</p> <p>CUSTOMER APPROVAL:</p> <p>DATE:</p>									
<p>HEADSET - FSD FINISH: MATTE COLOR: BLACK HEADGEAR: ADJUSTABLE, PADDED</p>	<p>GENERAL DIMENSIONS UNIT OF MEASURE: INCHES [mm]</p> <p>L: 9.0 [228] W: 11.0 [279] H: 9.0 [228] X: 6.4-8.2 [165-209] ADJUSTABLE Y: 6.3 [161] LENS THICKNESS: 0.125 [3]</p>		<p>SECTION A-A</p> 									
<p>ENGRAVING NOTES: 1. TEXT HEIGHT: 0.10 INCHES. 2. KENTEK WILL PROVIDE LOT NUMBER WITH EACH ORDER. 3. ENGRAVING AREAS INDICATED BY XXX</p>	<p>FRAME AND FILTER</p> 		<p>SECTION B-B</p> 									
<p>ENGRAVING DETAIL: 1. RIGHT SIDE: Phillips-Safety.com Lot xxx OD 4+ @ 200-400nm OD 3 @ 808-1090nm OD 6+ @ 840-1070nm OD 7+ @ 1064nm OD 5+ @ 9000-10600nm VLT 70% Wear in conjunction with safety eyewear.</p>	<p>ITEMIZED LIST: 1. FSD 2. KENTEK FILTER 5100U</p>		<p>PENDING APPROVAL</p>									
<p>PACKAGING: 1. PLACE UNIT INSIDE 14x18 INCH POLY BAG 2. PLACE 4260-0114 CLEANING CLOTH, CUSTOM CASE CARD AND 4260-0120 DFU INSIDE 4x6 POLY BAG 3. TAPE 4x6 BAG TO 14x18 BAG</p>	<p>THIS DOCUMENT IS PROPERTY OF THE KENTEK CORPORATION AND IS CONSIDERED COMPANY CONFIDENTIAL. THE REPRODUCTION OR USE OF INFORMATION IN THIS DOCUMENT, COMPLETE OR IN PART, IS EXPRESSLY PROHIBITED WITHOUT WRITTEN CONFIRMATION FROM A PRINCIPAL MEMBER OF MANAGEMENT AT KENTEK CORPORATION.</p>		<p>32 Broadway Pittsfield, N.H. 03263 P: 800-432-2323 F: 603-435-7441 kenteklaserstore.com info@kenteklaserstore.com</p>									
<table border="1"> <thead> <tr> <th>REVISION</th> <th>DESCRIPTION</th> </tr> </thead> <tbody> <tr> <td>A</td> <td>Original</td> </tr> <tr> <td>B</td> <td>07-20-20 wfs Move all engraving to right side; per BGS</td> </tr> <tr> <td>-</td> <td>-</td> </tr> <tr> <td>-</td> <td>-</td> </tr> </tbody> </table>	REVISION	DESCRIPTION	A	Original	B	07-20-20 wfs Move all engraving to right side; per BGS	-	-	-	-	<p>DRAWN BY: WFS DATE: 07-24-19</p> <p>APPROVED BY: BGS DATE: 07-24-19</p> <p>SCALE: FINISH:</p> <p>TOLERANCES: UNLESS OTHERWISE NOTED IMPERIAL TABLE METRIC TABLE</p> <p>DO NOT SCALE DRAWING</p>	<p>CONTENTS WITHIN THIS DRAWING ARE TO BE USED FOR:</p> <p>MANUFACTURING: X</p> <p>QUALITY CONTROL: X</p> <p>SALES REFERENCE:</p> <p>PART NUMBER: C54-FSD-5100U REV: B</p> <p>DESCRIPTION: Nd:YAG FACE SHIELD</p> <p>DRAWING TYPE: PRODUCTION / ASSEMBLY</p> <p>DRAWING NUMBER: C54-FSD-5100</p>
REVISION	DESCRIPTION											
A	Original											
B	07-20-20 wfs Move all engraving to right side; per BGS											
-	-											
-	-											

PRODUCT INFORMATION
LASER SAFETY FACE SHIELD FOR ND:YAG

Table of OD Values for Filter Number 5100U

October 26, 2023 Page 1 of 2

COLOR: green
 TRANSMISSION: VLT 70
 MARKINGS: OD 4+ @ 200-400nm OD 3 @ 808-1070nm OD 4+ @ 860-1070nm OD 6+ @ 1064nm OD 5+ @ 10600nm



NOTE: OD values below are average minimum values of representative lots of filter material according to manufacturing specifications. They are not guaranteed minimums for every lens. Minimum protection values will be specified on each product.

nm	OD	nm	OD	nm	OD	nm	OD	nm	OD	nm	OD	nm	OD	nm	OD	nm	OD
200	7+	255	7+	310	7+	365	6.68	420	5.67	475	0.88	530	0.62	585	0.57	640	0.72
201	7+	256	7+	311	7+	366	6.51	421	5.61	476	0.86	531	0.61	586	0.58	641	0.73
202	7+	257	7+	312	7+	367	6.35	422	5.54	477	0.85	532	0.61	587	0.58	642	0.73
203	7+	258	7+	313	7+	368	6.22	423	5.47	478	0.84	533	0.60	588	0.58	643	0.74
204	7+	259	7+	314	7+	369	6.10	424	5.40	479	0.83	534	0.60	589	0.58	644	0.74
205	7+	260	7+	315	7+	370	6.00	425	5.32	480	0.82	535	0.60	590	0.58	645	0.75
206	7+	261	7+	316	7+	371	5.92	426	5.24	481	0.82	536	0.59	591	0.58	646	0.76
207	7+	262	7+	317	7+	372	5.85	427	5.16	482	0.81	537	0.59	592	0.58	647	0.76
208	7+	263	7+	318	7+	373	5.79	428	5.08	483	0.81	538	0.59	593	0.58	648	0.77
209	7+	264	7+	319	7+	374	5.75	429	5.00	484	0.80	539	0.59	594	0.59	649	0.77
210	7+	265	7+	320	7+	375	5.72	430	4.92	485	0.80	540	0.58	595	0.59	650	0.78
211	7+	266	7+	321	7+	376	5.69	431	4.84	486	0.80	541	0.58	596	0.59	651	0.78
212	7+	267	7+	322	7+	377	5.67	432	4.76	487	0.80	542	0.58	597	0.59	652	0.79
213	7+	268	7+	323	7+	378	5.68	433	4.68	488	0.79	543	0.58	598	0.59	653	0.80
214	7+	269	7+	324	7+	379	5.70	434	4.60	489	0.79	544	0.58	599	0.59	654	0.80
215	7+	270	7+	325	7+	380	5.72	435	4.52	490	0.79	545	0.57	600	0.60	655	0.81
216	7+	271	7+	326	7+	381	5.74	436	4.44	491	0.79	546	0.57	601	0.60	656	0.81
217	7+	272	7+	327	7+	382	5.76	437	4.36	492	0.79	547	0.57	602	0.60	657	0.82
218	7+	273	7+	328	7+	383	5.79	438	4.28	493	0.79	548	0.57	603	0.60	658	0.83
219	7+	274	7+	329	7+	384	5.82	439	4.18	494	0.79	549	0.57	604	0.60	659	0.83
220	7+	275	7+	330	7+	385	5.85	440	4.08	495	0.79	550	0.57	605	0.61	660	0.84
221	7+	276	7+	331	7+	386	5.89	441	3.98	496	0.79	551	0.57	606	0.61	661	0.85
222	7+	277	7+	332	7+	387	5.93	442	3.85	497	0.79	552	0.56	607	0.61	662	0.86
223	7+	278	7+	333	7+	388	5.97	443	3.73	498	0.79	553	0.56	608	0.61	663	0.86
224	7+	279	7+	334	7+	389	6.01	444	3.59	499	0.79	554	0.56	609	0.62	664	0.87
225	7+	280	7+	335	7+	390	6.05	445	3.44	500	0.78	555	0.56	610	0.62	665	0.88
226	7+	281	7+	336	7+	391	6.10	446	3.28	501	0.78	556	0.56	611	0.62	666	0.89
227	7+	282	7+	337	7+	392	6.14	447	3.13	502	0.78	557	0.56	612	0.62	667	0.89
228	7+	283	7+	338	7+	393	6.18	448	2.97	503	0.77	558	0.56	613	0.63	668	0.90
229	7+	284	7+	339	7+	394	6.23	449	2.81	504	0.77	559	0.56	614	0.63	669	0.91
230	7+	285	7+	340	7+	395	6.27	450	2.65	505	0.76	560	0.56	615	0.63	670	0.92
231	7+	286	7+	341	7+	396	6.30	451	2.50	506	0.76	561	0.56	616	0.63	671	0.93
232	7+	287	7+	342	7+	397	6.34	452	2.35	507	0.75	562	0.56	617	0.64	672	0.93
233	7+	288	7+	343	7+	398	6.38	453	2.22	508	0.75	563	0.56	618	0.64	673	0.94
234	7+	289	7+	344	7+	399	6.40	454	2.09	509	0.74	564	0.56	619	0.64	674	0.95
235	7+	290	7+	345	7+	400	6.43	455	1.97	510	0.73	565	0.56	620	0.65	675	0.96
236	7+	291	7+	346	7+	401	6.45	456	1.86	511	0.73	566	0.56	621	0.65	676	0.97
237	7+	292	7+	347	7+	402	6.46	457	1.75	512	0.72	567	0.56	622	0.65	677	0.98
238	7+	293	7+	348	7+	403	6.46	458	1.66	513	0.71	568	0.56	623	0.66	678	0.99
239	7+	294	7+	349	7+	404	6.46	459	1.57	514	0.71	569	0.56	624	0.66	679	1.00
240	7+	295	7+	350	7+	405	6.44	460	1.49	515	0.70	570	0.56	625	0.66	680	1.01
241	7+	296	7+	351	7+	406	6.43	461	1.42	516	0.69	571	0.56	626	0.67	681	1.02
242	7+	297	7+	352	7+	407	6.40	462	1.35	517	0.69	572	0.56	627	0.67	682	1.03
243	7+	298	7+	353	7+	408	6.37	463	1.29	518	0.68	573	0.56	628	0.67	683	1.04
244	7+	299	7+	354	7+	409	6.33	464	1.24	519	0.67	574	0.56	629	0.68	684	1.05
245	7+	300	7+	355	7+	410	6.28	465	1.19	520	0.67	575	0.57	630	0.68	685	1.06
246	7+	301	7+	356	7+	411	6.23	466	1.14	521	0.66	576	0.57	631	0.68	686	1.07
247	7+	302	7+	357	7+	412	6.17	467	1.10	522	0.66	577	0.57	632	0.69	687	1.08
248	7+	303	7+	358	7+	413	6.10	468	1.06	523	0.65	578	0.57	633	0.69	688	1.09
249	7+	304	7+	359	7+	414	6.05	469	1.02	524	0.64	579	0.57	634	0.70	689	1.10
250	7+	305	7+	360	7+	415	5.98	470	0.99	525	0.64	580	0.57	635	0.70	690	1.12
251	7+	306	7+	361	7+	416	5.92	471	0.96	526	0.63	581	0.57	636	0.71	691	1.13
252	7+	307	7+	362	7+	417	5.85	472	0.94	527	0.63	582	0.57	637	0.71	692	1.14
253	7+	308	7+	363	7+	418	5.79	473	0.91	528	0.62	583	0.57	638	0.71	693	1.15
254	7+	309	7+	364	6.89	419	5.73	474	0.89	529	0.62	584	0.57	639	0.72	694	1.16

PRODUCT INFORMATION
LASER SAFETY FACE SHIELD FOR ND:YAG

Table of OD Values for Filter Number 5100U

October 26, 2023 Page 2 of 2

COLOR: green
 TRANSMISSION: VLT 70
 MARKINGS: OD 4+ @ 200-400nm OD 3 @ 808-1070nm OD 4+ @ 860-1070nm OD 6+ @ 1064nm OD 5+ @ 10600nm



NOTE: OD values below are average minimum values of representative lots of filter material according to manufacturing specifications. They are not guaranteed minimums for every lens. Minimum protection values will be specified on each product.

nm	OD	nm	OD	nm	OD	nm	OD	nm	OD	nm	OD	nm	OD	nm	OD	nm	OD		
750	2.18	805	3.97	860	6.21	915	7+	970	7+	1025	7+	1080	4.85	1135	1.61	1190	0.70	3450	-
751	2.21	806	4.00	861	6.21	916	7+	971	7+	1026	7+	1081	4.75	1136	1.58	1191	0.69	3500	-
752	2.23	807	4.04	862	6.21	917	7+	972	7+	1027	7+	1082	4.66	1137	1.55	1192	0.68	3550	-
753	2.26	808	4.08	863	6.21	918	7+	973	7+	1028	7+	1083	4.57	1138	1.52	1193	0.67	3600	-
754	2.29	809	4.11	864	6.21	919	7+	974	7+	1029	7+	1084	4.47	1139	1.50	1194	0.66	3650	-
755	2.31	810	4.15	865	6.21	920	7+	975	7+	1030	7+	1085	4.39	1140	1.47	1195	0.65	3700	-
756	2.34	811	4.18	866	6.21	921	7+	976	7+	1031	7+	1086	4.30	1141	1.44	1196	0.64	3750	-
757	2.37	812	4.22	867	6.21	922	7+	977	7+	1032	7+	1087	4.21	1142	1.42	1197	0.64	3800	-
758	2.40	813	4.25	868	6.21	923	7+	978	7+	1033	7+	1088	4.12	1143	1.40	1198	0.63	3850	-
759	2.42	814	4.29	869	6.21	924	7+	979	7+	1034	7+	1089	4.04	1144	1.37	1199	0.62	3900	-
760	2.45	815	4.33	870	6.22	925	7+	980	7+	1035	7+	1090	3.96	1145	1.35	1200	0.61	3950	-
761	2.48	816	4.36	871	6.26	926	7+	981	7+	1036	7+	1091	3.88	1146	1.33	1250	-	4000	-
762	2.51	817	4.40	872	6.30	927	7+	982	7+	1037	7+	1092	3.80	1147	1.31	1300	-	4050	-
763	2.54	818	4.43	873	6.33	928	7+	983	7+	1038	7+	1093	3.72	1148	1.29	1350	-	4100	-
764	2.57	819	4.47	874	6.37	929	7+	984	7+	1039	7+	1094	3.64	1149	1.26	1400	-	4150	-
765	2.60	820	4.50	875	6.40	930	7+	985	7+	1040	7+	1095	3.57	1150	1.24	1450	-	4200	-
766	2.63	821	4.54	876	6.44	931	7+	986	7+	1041	7+	1096	3.49	1151	1.22	1500	-	4250	-
767	2.66	822	4.57	877	6.48	932	7+	987	7+	1042	7+	1097	3.42	1152	1.21	1550	-	4300	-
768	2.69	823	4.61	878	6.51	933	7+	988	7+	1043	7+	1098	3.35	1153	1.19	1600	-	4350	-
769	2.72	824	4.64	879	6.55	934	7+	989	7+	1044	7+	1099	3.28	1154	1.17	1650	-	4400	-
770	2.75	825	4.68	880	6.59	935	7+	990	7+	1045	7+	1100	3.22	1155	1.15	1700	-	4450	-
771	2.79	826	4.71	881	6.62	936	7+	991	7+	1046	7+	1101	3.15	1156	1.14	1750	-	4500	-
772	2.82	827	4.74	882	6.66	937	7+	992	7+	1047	7+	1102	3.08	1157	1.12	1800	-	4550	-
773	2.85	828	4.78	883	6.69	938	7+	993	7+	1048	7+	1103	3.02	1158	1.11	1850	-	4600	-
774	2.88	829	4.81	884	6.73	939	7+	994	7+	1049	7+	1104	2.96	1159	1.09	1900	-	4650	-
775	2.92	830	4.84	885	6.76	940	7+	995	7+	1050	7+	1105	2.90	1160	1.08	1950	-	4700	-
776	2.95	831	4.88	886	6.80	941	7+	996	7+	1051	7+	1106	2.84	1161	1.06	2000	-	4750	-
777	2.98	832	4.91	887	6.83	942	7+	997	7+	1052	7+	1107	2.78	1162	1.05	2050	-	4800	-
778	3.02	833	4.95	888	6.86	943	7+	998	7+	1053	7+	1108	2.73	1163	1.04	2100	-	4850	-
779	3.05	834	4.98	889	6.90	944	7+	999	7+	1054	7+	1109	2.67	1164	1.02	2150	-	4900	-
780	3.08	835	5.01	890	6.93	945	7+	1000	7+	1055	7+	1110	2.62	1165	1.01	2200	-	4950	-
781	3.12	836	5.04	891	6.96	946	7+	1001	7+	1056	7+	1111	2.56	1166	1.00	2250	-	5000	6.99
782	3.15	837	5.08	892	7.00	947	7+	1002	7+	1057	7+	1112	2.51	1167	0.98	2300	-	5050	6.99
783	3.18	838	5.11	893	7.03	948	7+	1003	7+	1058	7+	1113	2.46	1168	0.97	2350	-	5100	6.99
784	3.22	839	5.14	894	7.06	949	7+	1004	7+	1059	7+	1114	2.41	1169	0.96	2400	-	5150	6.99
785	3.25	840	5.18	895	7.09	950	7+	1005	7+	1060	7.09	1115	2.36	1170	0.95	2450	-	5200	6.99
786	3.29	841	5.21	896	7.12	951	7+	1006	7+	1061	6.97	1116	2.31	1171	0.93	2500	-	9000	6.99
787	3.32	842	5.24	897	7.15	952	7+	1007	7+	1062	6.84	1117	2.27	1172	0.92	2550	-	10600	6.99
788	3.36	843	5.27	898	7.18	953	7+	1008	7+	1063	6.72	1118	2.22	1173	0.91	2600	-	11000	6.99
789	3.39	844	5.30	899	7.21	954	7+	1009	7+	1064	6.60	1119	2.18	1174	0.90	2650	-		
790	3.43	845	5.33	900	7.24	955	7+	1010	7+	1065	6.48	1120	2.14	1175	0.88	2700	-		
791	3.46	846	5.36	901	7.27	956	7+	1011	7+	1066	6.36	1121	2.10	1176	0.87	2750	-		
792	3.50	847	5.39	902	7.30	957	7+	1012	7+	1067	6.24	1122	2.06	1177	0.86	2800	-		
793	3.53	848	5.42	903	7.33	958	7+	1013	7+	1068	6.12	1123	2.02	1178	0.85	2850	-		
794	3.57	849	5.45	904	7.36	959	7+	1014	7+	1069	6.00	1124	1.98	1179	0.84	2900	-		
795	3.61	850	5.48	905	7.39	960	7+	1015	7+	1070	5.88	1125	1.94	1180	0.82	2950	-		
796	3.64	851	5.51	906	7.42	961	7+	1016	7+	1071	5.76	1126	1.90	1181	0.81	3000	-		
797	3.68	852	5.54	907	7.45	962	7+	1017	7+	1072	5.64	1127	1.87	1182	0.79	3050	-		
798	3.71	853	5.57	908	7.48	963	7+	1018	7+	1073	5.52	1128	1.83	1183	0.78	3100	-		
799	3.75	854	5.60	909	7.51	964	7+	1019	7+	1074	5.40	1129	1.80	1184	0.77	3150	-		
800	3.79	855	5.63	910	7.54	965	7+	1020	7+	1075	5.28	1130	1.77	1185	0.75	3200	-		
801	3.82	856	5.66	911	7.57	966	7+	1021	7+	1076	5.16	1131	1.73	1186	0.74	3250	-		
802	3.86	857	5.69	912	7.60	967	7+	1022	7+	1077	5.04	1132	1.70	1187	0.73	3300	-		
803	3.89	858	5.72	913	7.63	968	7+	1023	7+	1078	4.92	1133	1.67	1188	0.72	3350	-		
804	3.93	859	5.75	914	7.66	969	7+	1024	7+	1079	4.80	1134	1.64	1189	0.71	3400	-		

CONTACT

Should you need any further information,
please do not hesitate to contact us.

123 Lincoln Blvd, Middlesex, NJ 08846, USA 

+1 (866) 575 1307 

service@phillips-safety.com 

www.phillips-safety.com 