

8-PEG SPYDER APRON RACK WITH GLOVE HOLDER

PRODUCT INFORMATION

PHILLIPS-SAFETY.COM

COPYRIGHT ©2025. ALL RIGHTS RESERVED



PHILLIPS SAFETY
PRODUCTS INC.

PRODUCT INFORMATION

8-PEG SPYDER APRON RACK WITH GLOVE HOLDER



The 8-Peg Spyder Apron Rack with Glove Holder is a lead apron rack designed to store, transport, and organize eight lead aprons and three pairs of lead gloves. Constructed of solid steel, it has a caster-equipped base with 5 legs which allows the rack to be portable and moved out the way when not in use. This Phillips Safety rack has fixed apron arms that can not be adjusted or moved and features a slight angle at the tip of each arm for a better hold of aprons. It assembles easily with one bolt to the bottom of the base and one allen screw to the top section. The 8-Peg Spyder Apron Rack with Glove Holder holds up to 200 lbs and has a 1 year warranty against manufacturing defects.

SPECIFICATION

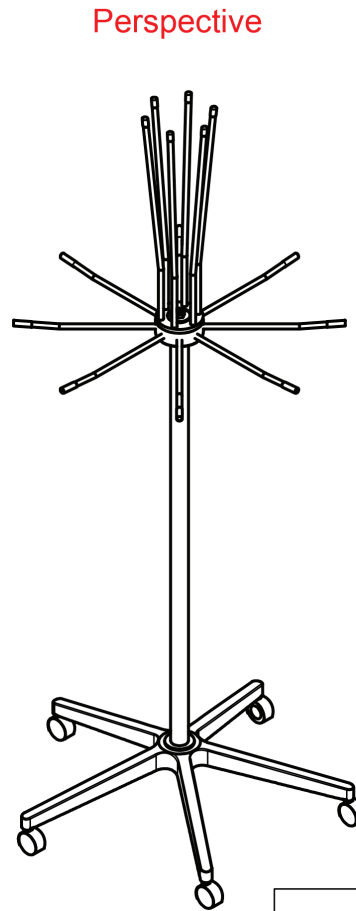
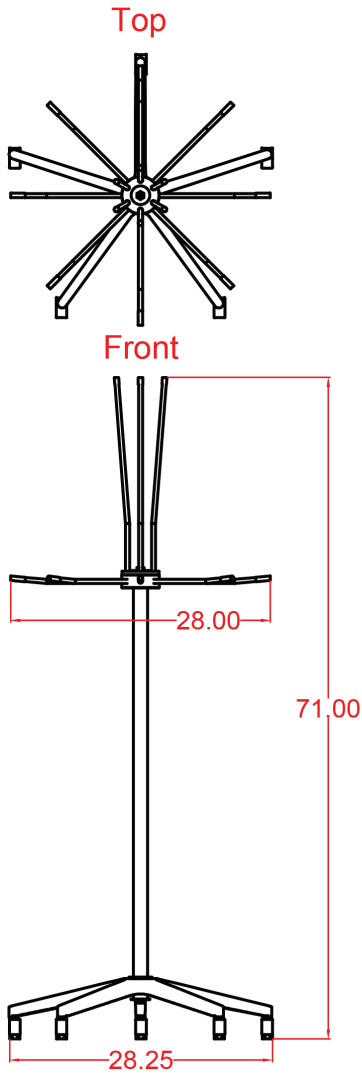
MATERIAL: Metal

LEAD APRON CAPACITY: 8 Aprons, 3 Gloves

FEATURES: caster-equipped base, 5 legs, fixed apron arms

PRODUCT INFORMATION
8-PEG SPYDER APRON RACK WITH GLOVE HOLDER

8-Peg Mobile Leaded Apron Rack



RAR-SAR8
SCALE: 3/4" = 1'


PRODUCT INFORMATION

8-PEG SPYDER APRON RACK WITH GLOVE HOLDER

CONTACT

Should you need any further information,
please do not hesitate to contact us.

123 Lincoln Blvd, Middlesex, NJ 08846, USA 

+1 866 575 1307 

service@phillips-safety.com 

www.phillips-safety.com 