

INTERVENTIONAL X-RAY BARRIER

PRODUCT INFORMATION

[PHILLIPS-SAFETY.COM](https://phillips-safety.com)

COPYRIGHT ©2025. ALL RIGHTS RESERVED



PHILLIPS SAFETY
PRODUCTS INC.

PRODUCT INFORMATION
INTERVENTIONAL X-RAY BARRIER



The Interventional X-Ray Barrier is a radiation barrier with 0.5mm PbEq that allows you to work comfortably in a variety of positions, while standing or sitting. This mobile radiation barrier moves easily and may be locked in position with its locking casters, also allowing for vertical rotation of 360 degrees. This Phillips Safety radiation barrier features a combination of a flexible 14-inch-wide lead rubber shield that covers your feet and lower body and a flexible Velcro attached. The lead acrylic barrier measures 80 cm W x 60 cm H and the lower lead rubber shield measures 65 cm W x 89 cm H.

SPECIFICATION

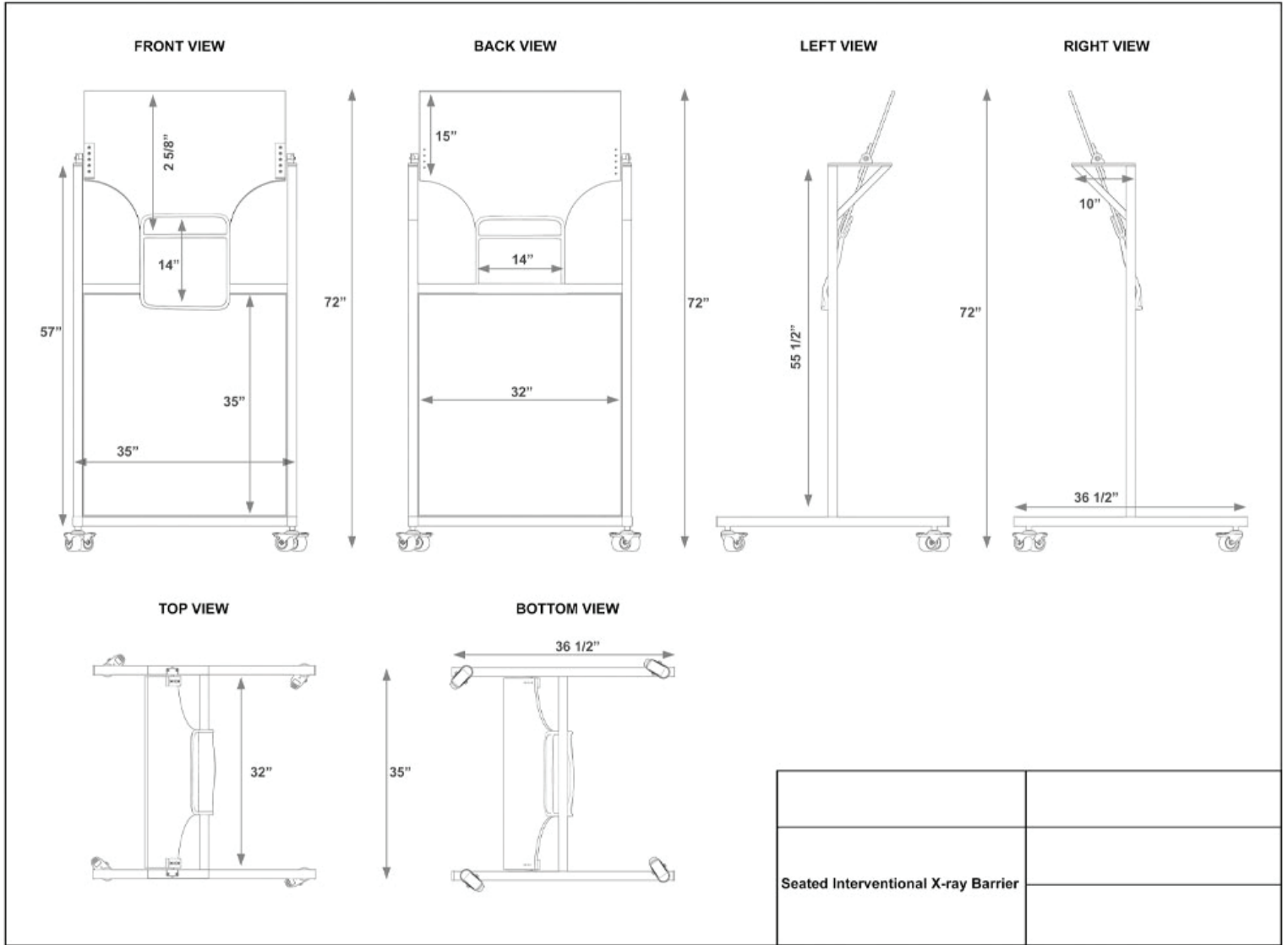
LEADED BARRIER SIZE: 80 cm W x 60 cm H

MATERIAL: Metal

PROTECTION LEVEL : 0.5mm PbEq

FEATURES: Locking casters, 360-degree vertical rotation

PRODUCT INFORMATION
INTERVENTIONAL X-RAY BARRIER



CONTACT

Should you need any further information,
please do not hesitate to contact us.

123 Lincoln Blvd, Middlesex, NJ 08845, USA 

+1 (866) 757 1307 

service@phillips-safety.com 

www.phillips-safety.com 