

**COLLAPSIBLE MOBILE LEADED BARRIER
WITH 24" X 24" WINDOW**

PRODUCT INFORMATION

PHILLIPS-SAFETY.COM

COPYRIGHT ©2025. ALL RIGHTS RESERVED



**PHILLIPS SAFETY
PRODUCTS INC.**

PRODUCT INFORMATION

COLLAPSIBLE MOBILE LEADED BARRIER WITH 24" X 24" WINDOW | LB-7429



The Collapsible Mobile Leaded Barrier with 24" x 24" Window is a portable full-body radiation barrier for protection against secondary radiation. It travels easily on four casters, two with brakes, and features a screen that can be easily raised and lowered by hand. This Phillips Safety radiation barrier has a 0.50mm lead equivalent lightweight leaded acrylic window and a 2.0mm lead equivalent steel and lead frame. Its overall size is 29.9"W x 74.4"H.

SPECIFICATION

WINDOW SIZE: 24" x 24"

WINDOW MATERIAL: Acrylic

OVERALL SIZE: 29.9"W x 74.7"H

WINDOW PROTECTION LEVEL: 0.5mm PbEq

PROTECTION LEVEL: 2.0mm PbEq

FEATURES: Lead window, four casters, two brakes

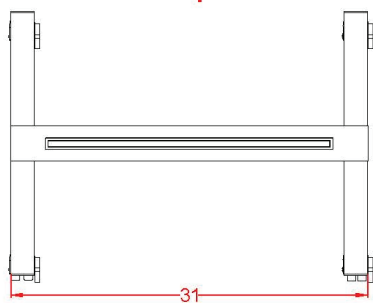
BARRIER MATERIAL: Metal

PRODUCT INFORMATION

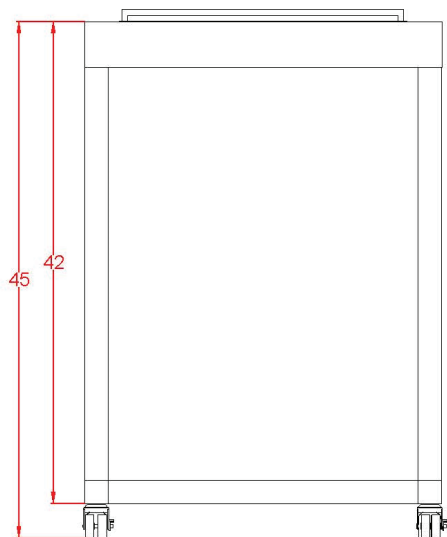
COLLAPSIBLE MOBILE LEADED BARRIER WITH 24" X 24" WINDOW | LB-7429

**Collapsible Mobile Barrier
with 24" x 24" Window**

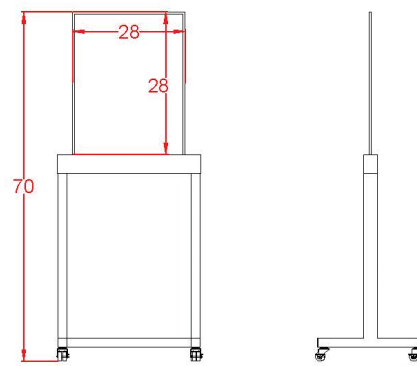
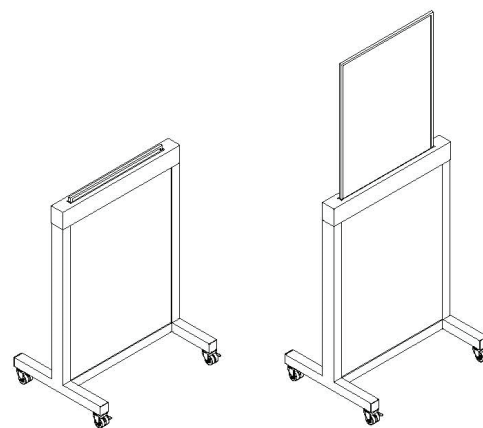
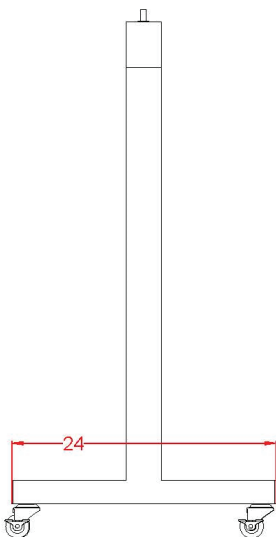
Top



Front



Side



LB-7429

SCALE: 1" = 1'

PRODUCT INFORMATION

COLLAPSIBLE MOBILE LEADED BARRIER WITH 24" X 24" WINDOW

CONTACT

Should you need any further information,
please do not hesitate to contact us.

123 Lincoln Blvd, Middlesex, NJ 08846, USA



+1 866 575 1307



service@phillips-safety.com



www.phillips-safety.com

