

# RADIATION FACE MASK, PANORAMIC STYLE

PRODUCT INFORMATION

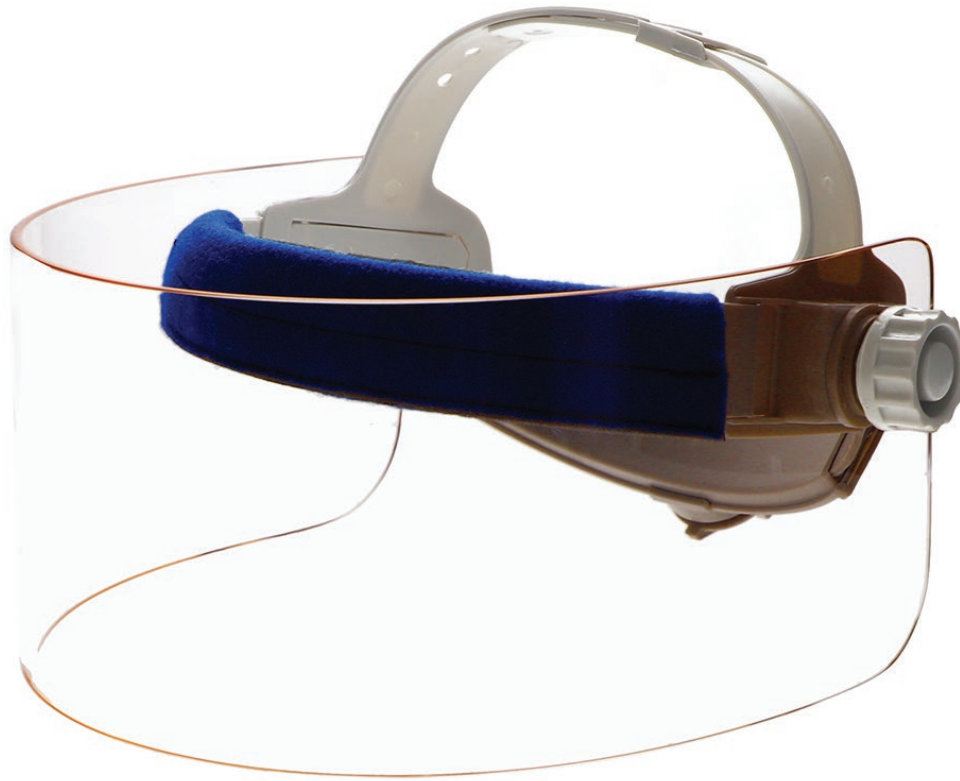
[PHILLIPS-SAFETY.COM](https://www.phillips-safety.com)

COPYRIGHT ©2025. ALL RIGHTS RESERVED



**PHILLIPS SAFETY**  
PRODUCTS INC.

**PRODUCT INFORMATION**  
RADIATION FACE MASK, PANORAMIC STYLE



The Radiation Face Mask, Panoramic Style is a face mask designed to provide protection against radiation. It has a panoramic style, eliminating blind spots caused by standard glasses and giving you a huge area of protection from radiation. This Phillips Safety radiation face mask features 0.12mm PbEq protection, a ratcheting headband, and weighs 350g. In addition, the Radiation Face Mask, Panoramic Style can be worn over glasses, so it is great for people who wear glasses or who want to protect more than just their eyes.

**SPECIFICATION**

---

**SIZE:** Mockup Information next page

**WEIGHT:** 350g

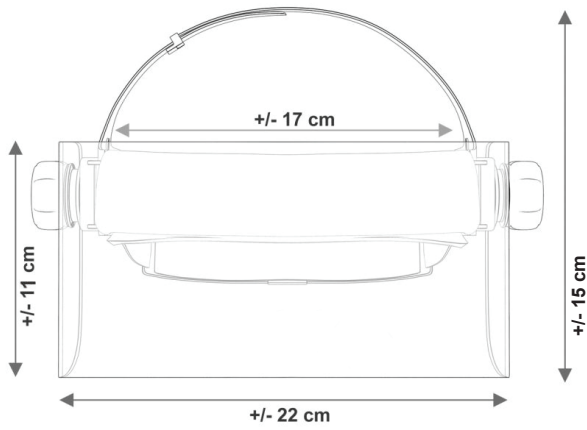
**Protection Level:** 0.12 mm Pb LE

**MATERIAL:** Leaded acrylic

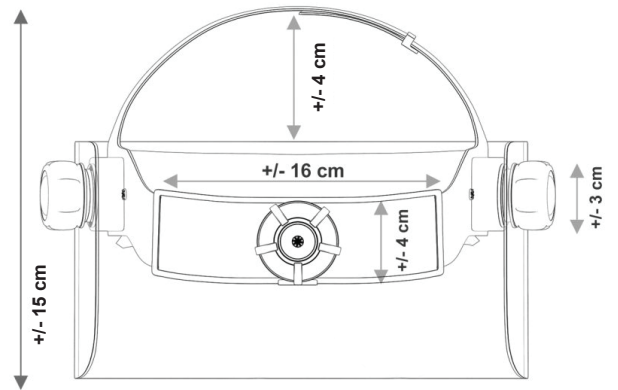
**FEATURES:** Ratcheting headband, Can be worn over glasses

**PRODUCT INFORMATION**  
RADIATION FACE MASK, PANORAMIC STYLE

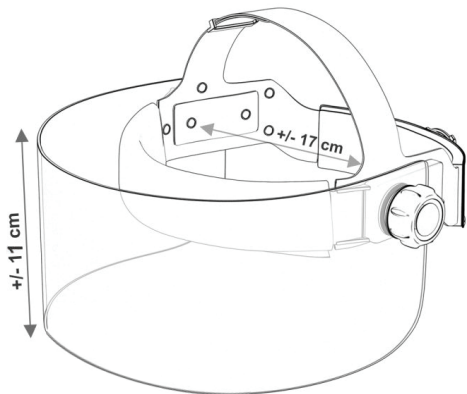
**FRONT VIEW**



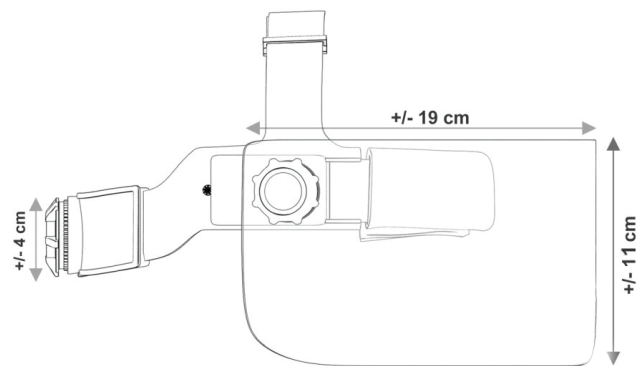
**BACK VIEW**



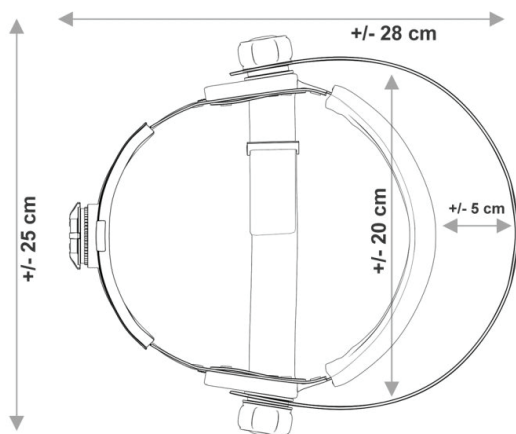
**PERSPECTIVE VIEW**



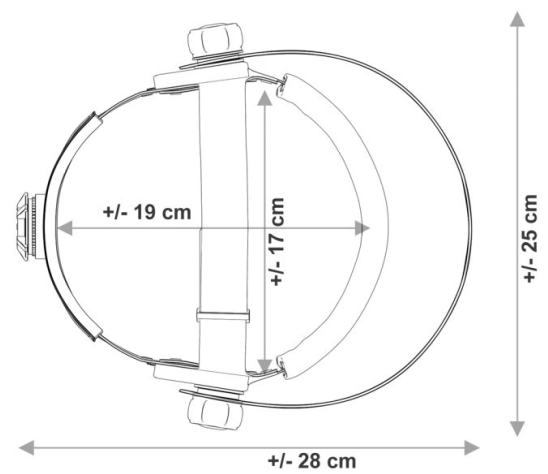
**SIDE VIEW**



**BOTTOM VIEW**



**TOP VIEW**




**PRODUCT INFORMATION**  
RADIATION FACE MASK, PANORAMIC STYLE

# CONTACT

Should you need any further information,  
please do not hesitate to contact us.

123 Lincoln Blvd, Middlesex, NJ 08845, USA 

+1 (866) 757 1307 

service@phillips-safety.com 

www.phillips-safety.com 