

MOBILE LEADED BARRIER WITH 12" X 10" WINDOW

PRODUCT INFORMATION

PHILLIPS-SAFETY.COM

COPYRIGHT ©2025. ALL RIGHTS RESERVED



PHILLIPS SAFETY
PRODUCTS INC.

PRODUCT INFORMATION

MOBILE LEADED BARRIER WITH 12" X 10" WINDOW



The Mobile Leaded Barrier with 12" x 10" Window is a portable, full-body radiation barrier designed to protect against secondary radiation. It features 2.0mm lead equivalent opaque panels of solid, leaded x-ray protection. Its 12" W x 10" H lead equivalency window is a viewing panel with 2.0mm lead equivalent Lead glass. Available in eight different sizes (24" x 72", 24" x 84", 30" x 72", 30" x 84", 36" x 72", 36" x 84", 45" x 72", and 45" x 84"), this Phillips Safety leaded barrier travels easily on its four-caster locking base steel legs. The window centers are 60" from the bottom of the panel and it is recommended that two people move the barrier together at all times. Please note that 84" high barriers may not fit through all doorways, therefore make sure you have selected the correct size.

SPECIFICATION

MATERIAL: Lead Glass with
opaque panel solid lead

FEATURES: Open base design, portable,
multiple sizes available, heavy duty,
4-caster base

PROTECTION: 2.0mm Pb LE opaque panels

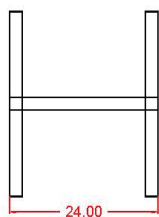
SIZES AVAILABLE: 24" x 72" | 24" x 84" | 30" x 72" |
30" x 84" | 36" x 72" | 36" x 84" | 45" x 72" | 45" x 84"

WINDOW SIZE: 12" x 10"

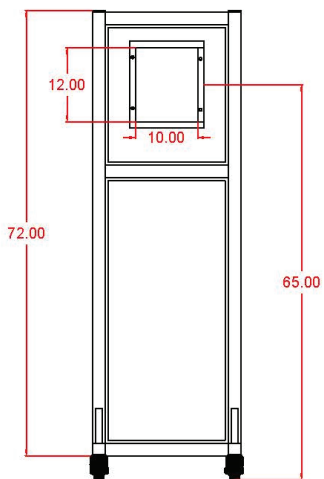
PRODUCT INFORMATION
MOBILE LEADED BARRIER WITH 12" X 10" WINDOW

Mobile Leaded Barrier
with 12" x 10" WINDOW

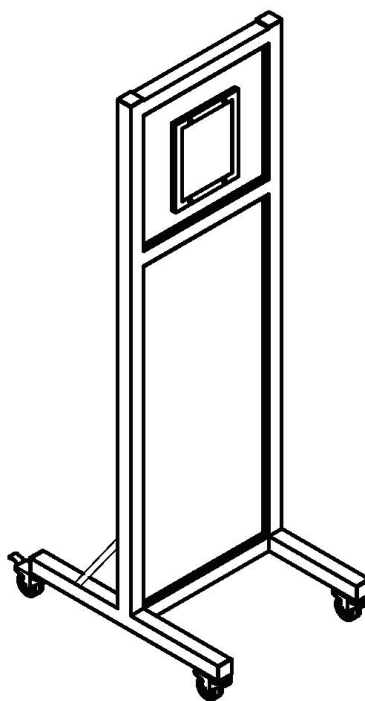
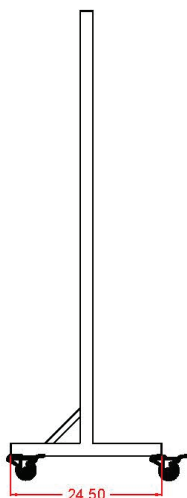
Top



Front



Side

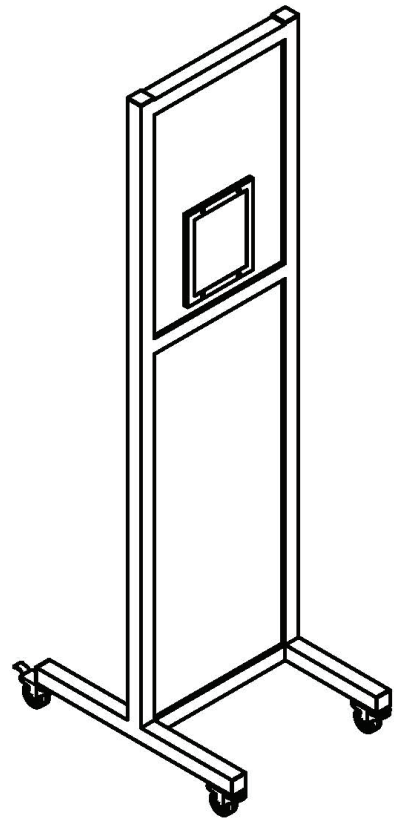
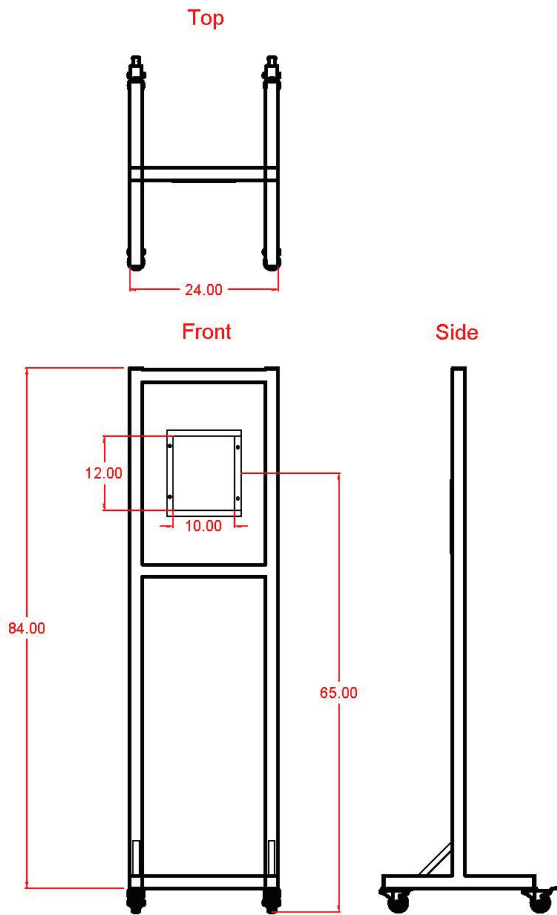


LB-2472

SCALE: 1/2" = 1'

PRODUCT INFORMATION
MOBILE LEADED BARRIER WITH 12" X 10" WINDOW

**Mobile Leaded Barrier
with 12" x 10" WINDOW**



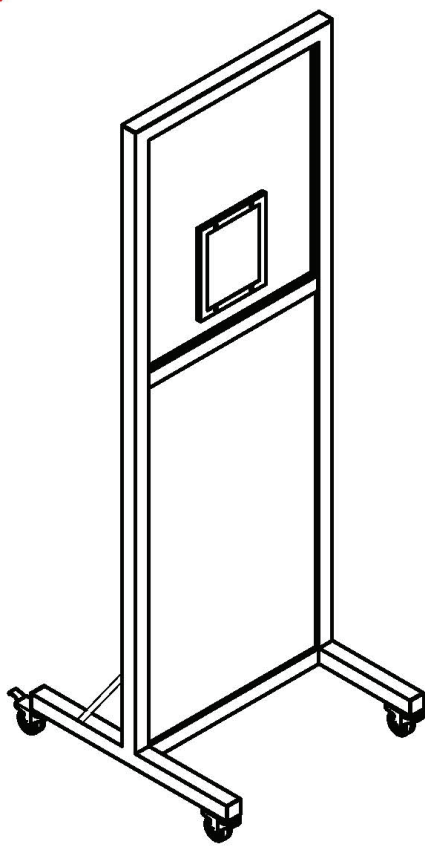
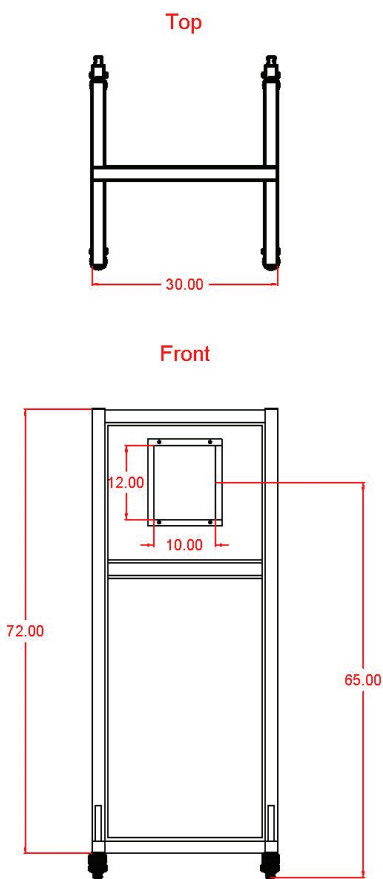
LB-2484

SCALE: 1/2" = 1'

PRODUCT INFORMATION

MOBILE LEADED BARRIER WITH 12" X 10" WINDOW

**Mobile Leaded Barrier
with 12" x 10" WINDOW**



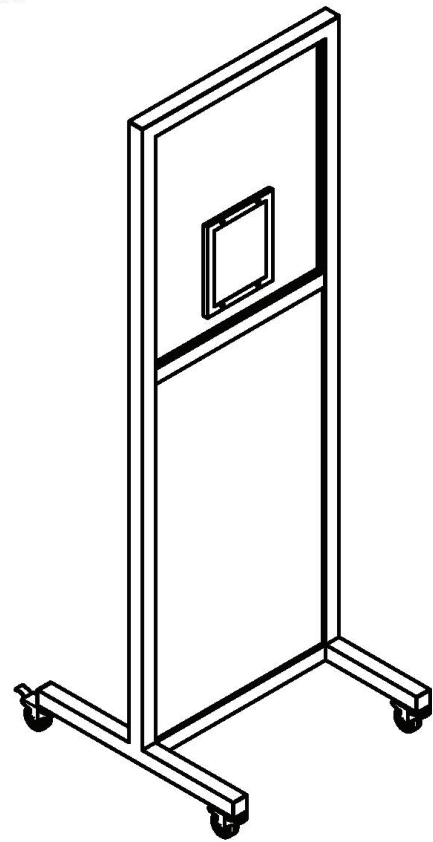
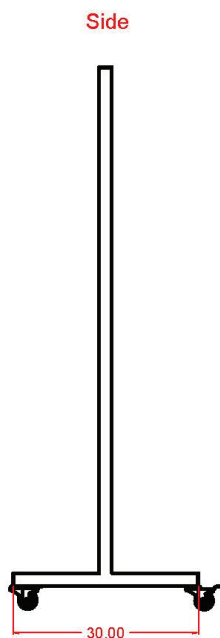
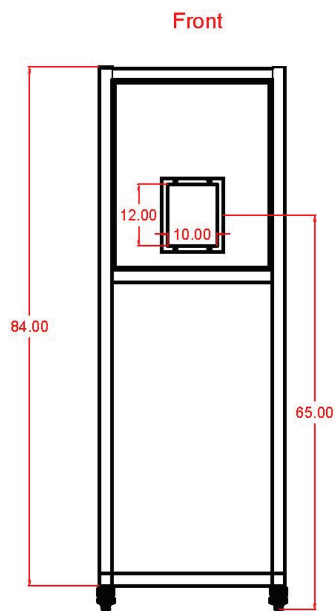
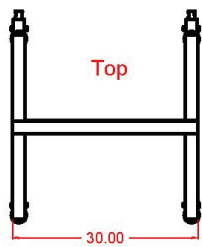
LB-3072

SCALE: 1/2" = 1'

PRODUCT INFORMATION

MOBILE LEADED BARRIER WITH 12" X 10" WINDOW

**Mobile Leaded Barrier
with 12" x 10" WINDOW**



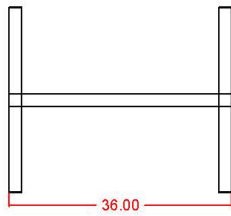
LB-3084

SCALE: 1/2" = 1'

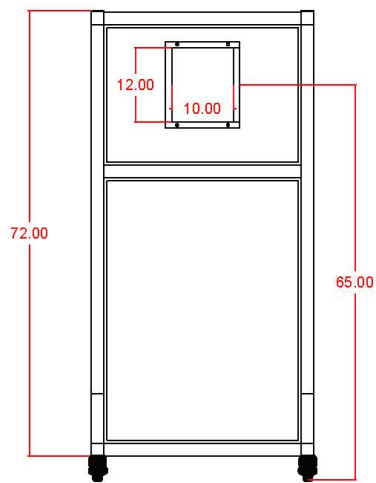
PRODUCT INFORMATION
MOBILE LEADED BARRIER WITH 12" X 10" WINDOW

Mobile Leaded Barrier
with 12" x 10" WINDOW

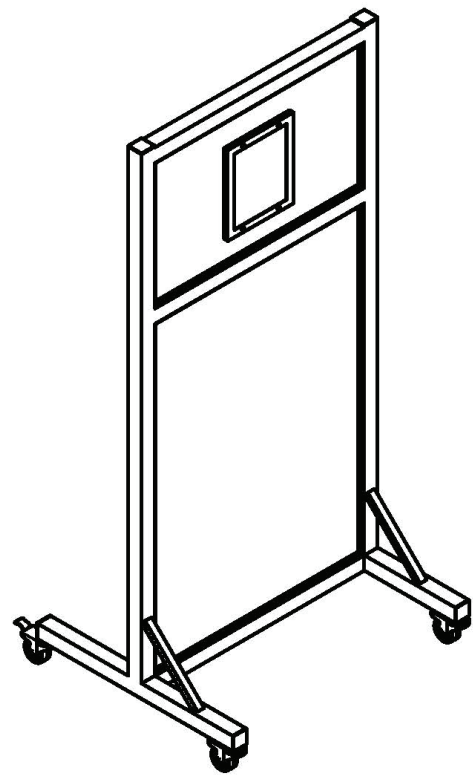
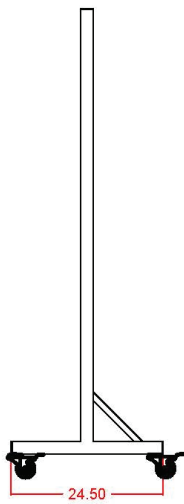
Top



Front



Side



LB-3672

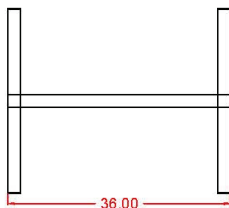
SCALE: 1/2" = 1'

PRODUCT INFORMATION

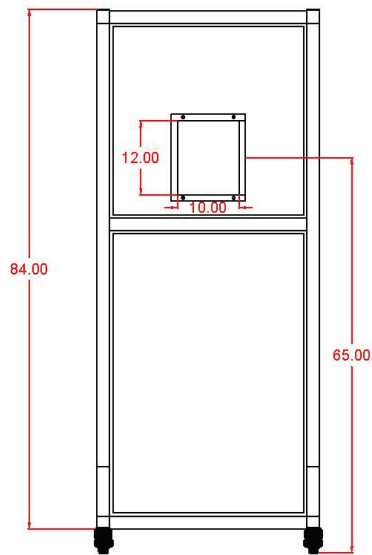
MOBILE LEADED BARRIER WITH 12" X 10" WINDOW

**Mobile Leaded Barrier
with 12" x 10" WINDOW**

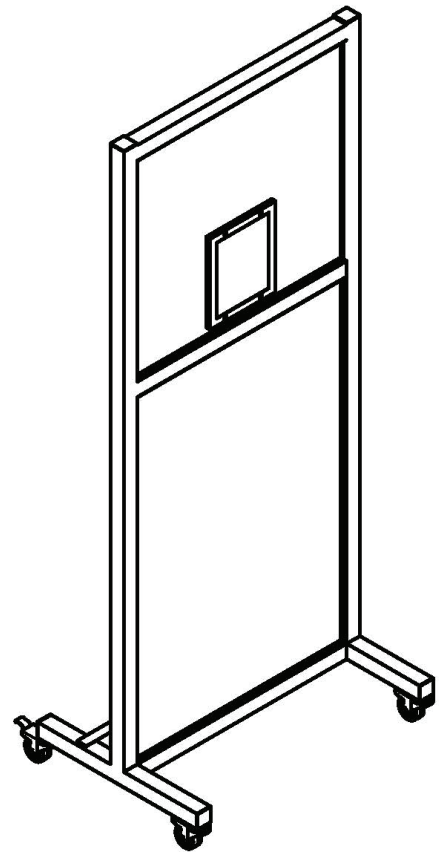
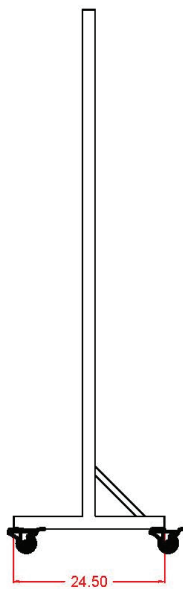
Top



Front



Side



LB-3684

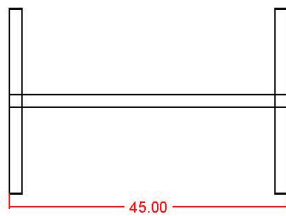
SCALE: 1/2" = 1'

PRODUCT INFORMATION

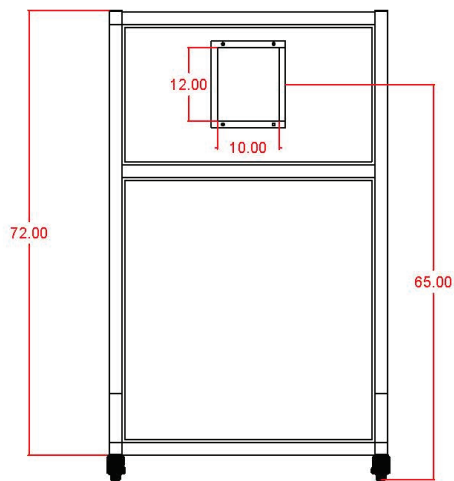
MOBILE LEADED BARRIER WITH 12" X 10" WINDOW

**Mobile Leaded Barrier
with 12" x 10" WINDOW**

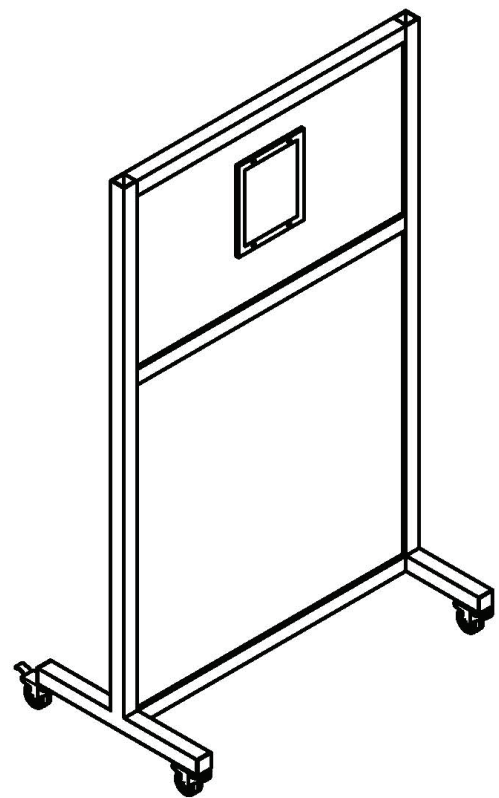
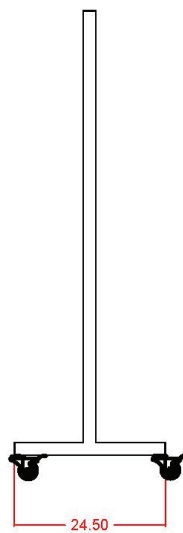
Top



Front



Side

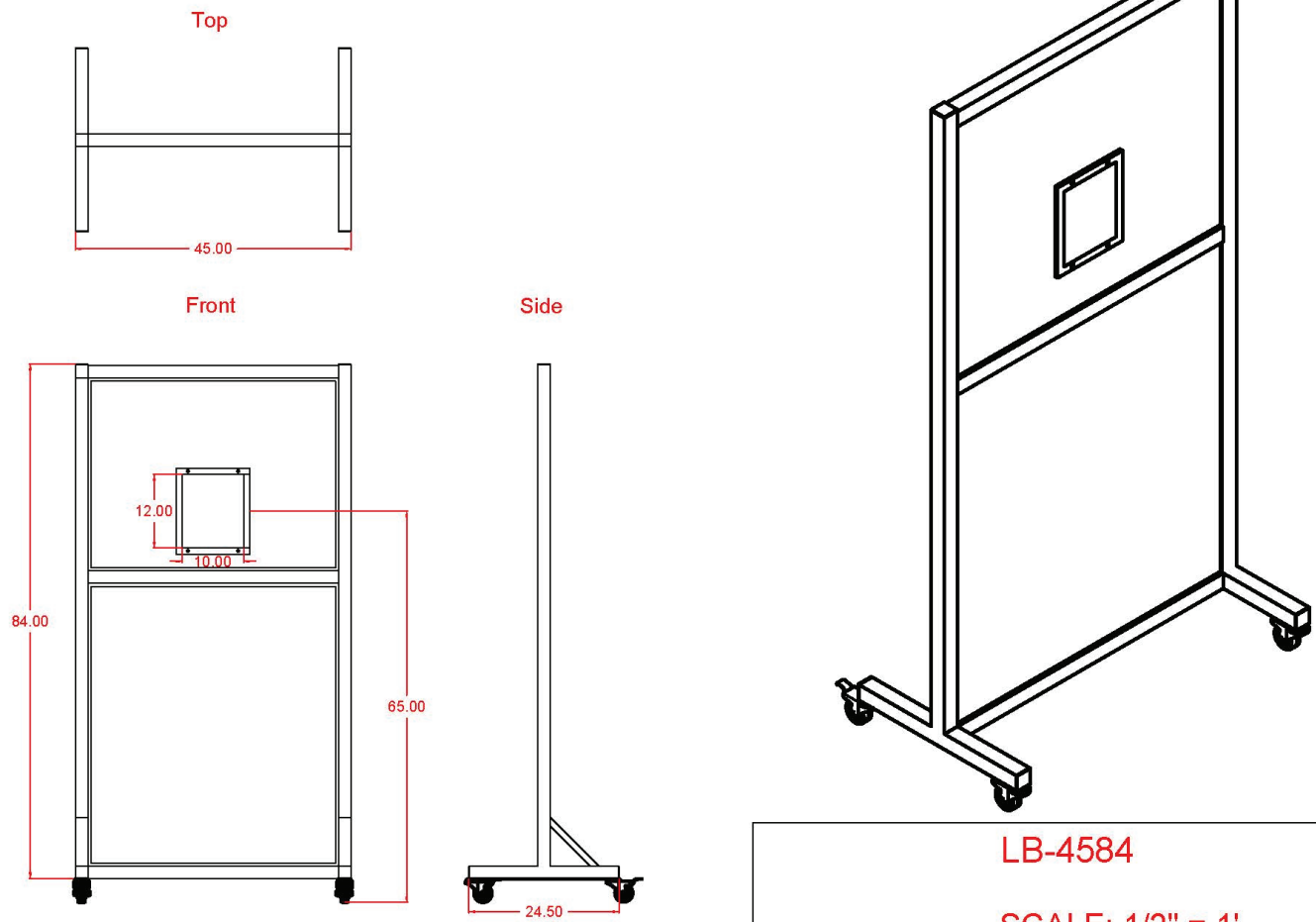


LB-4572

SCALE: 1/2" = 1'

PRODUCT INFORMATION
MOBILE LEADED BARRIER WITH 12" X 10" WINDOW

**Mobile Leaded Barrier
with 12" x 10" WINDOW**





PRODUCT INFORMATION
MOBILE LEADED BARRIER WITH 12" X 10" WINDOW

CONTACT

Should you need any further information,
please do not hesitate to contact us.

123 Lincoln Blvd, Middlesex, NJ 08846, USA 

+1 866 575 1307 

service@phillips-safety.com 

www.phillips-safety.com 