

GARMENT STYLE MOBILE 10-ARM APRON RACK

PRODUCT INFORMATION

[PHILLIPS-SAFETY.COM](https://www.phillips-safety.com)

COPYRIGHT ©2025. ALL RIGHTS RESERVED



PHILLIPS SAFETY
PRODUCTS INC.

PRODUCT INFORMATION
GARMENT STYLE MOBILE 10-ARM APRON RACK



The Garment Style Mobile 10-Arm Apron Rack is the answer to your multiple apron storage situation. With 10 pivoted arms, it holds up to 10 aprons and fans out to 180 degrees. This Phillips Safety apron rack features a caster-equipped base with 5-legs and is mounted on locking casters for portability. In addition, it has a high-tech finish of chromium and white that will enhance the decor of any room or lab. The Garment Style Mobile 10-Arm Apron Rack can hold up to 600 lbs and has an overall size of 52" W x 54" H x 24" D. With the center arm at 90°, angle from racks, depth is 26". Approximate shipping weight is 125 lbs.

SPECIFICATION

MATERIAL: Aluminium

COLOR: White

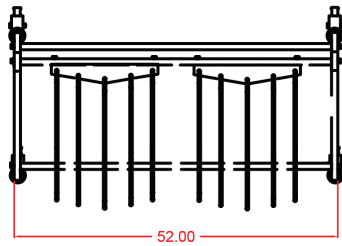
LEAD APRON CAPACITY: 10 Aprons

FEATURES: Mobile, Stable, Locking casters, center arm at 90° angle from racks, depth 26"

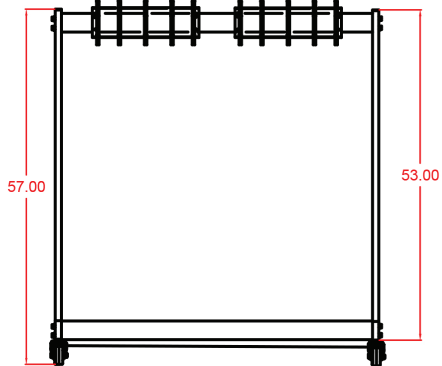
PRODUCT INFORMATION
GARMENT STYLE MOBILE 10-ARM APRON RACK

**MOBILE 10-ARM APRON RACK
GARMENT STYLE**

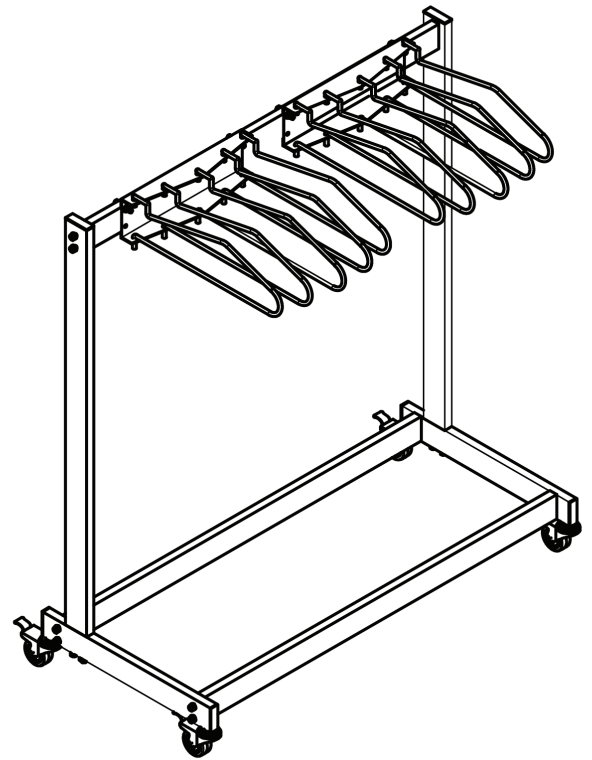
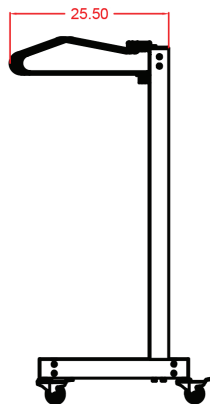
Top



Front



Side




RAR-MSA10

SCALE: 1/2" = 1'

CONTACT

Should you need any further information,
please do not hesitate to contact us.

123 Lincoln Blvd, Middlesex, NJ 08846, USA 

+1 866 575 1307 

service@phillips-safety.com 

www.phillips-safety.com 