

**CEILING MOUNTED OVERHEAD LEAD ACRYLIC
BARRIER WITH TORSO CUTOUT
PTO-006**

PRODUCT INFORMATION

PHILLIPS-SAFETY.COM

COPYRIGHT ©2025. ALL RIGHTS RESERVED



**PHILLIPS SAFETY
PRODUCTS INC.**

PRODUCT INFORMATION

CEILING MOUNTED OVERHEAD LEAD ACRYLIC BARRIER WITH TORSO CUTOUT - PTO-006



The Ceiling Mounted Overhead Lead Acrylic Barrier With Torso Cutout is a stable radiation barrier shield with 360 degrees of rotation which fits into exam rooms of any size. Able to be mounted above the exam space, this lightweight shield has significant reach and can be easily brought into position to provide protection to your patients. The PTO-006 has a torso cut-out to help fit most patients and a stabilized suspension arm constructed from quality powder coated alloy, which makes it resistant to corrosion. In addition, the Ceiling Mounted Overhead Lead Acrylic Barrier With Torso Cutout features a lead acrylic window measuring 32" x 24" with 0.50mm PbEq protection. This shield weights 9kg and the complete barrier weights 80kg.

SPECIFICATION

WINDOW SIZE: 32" x 24"

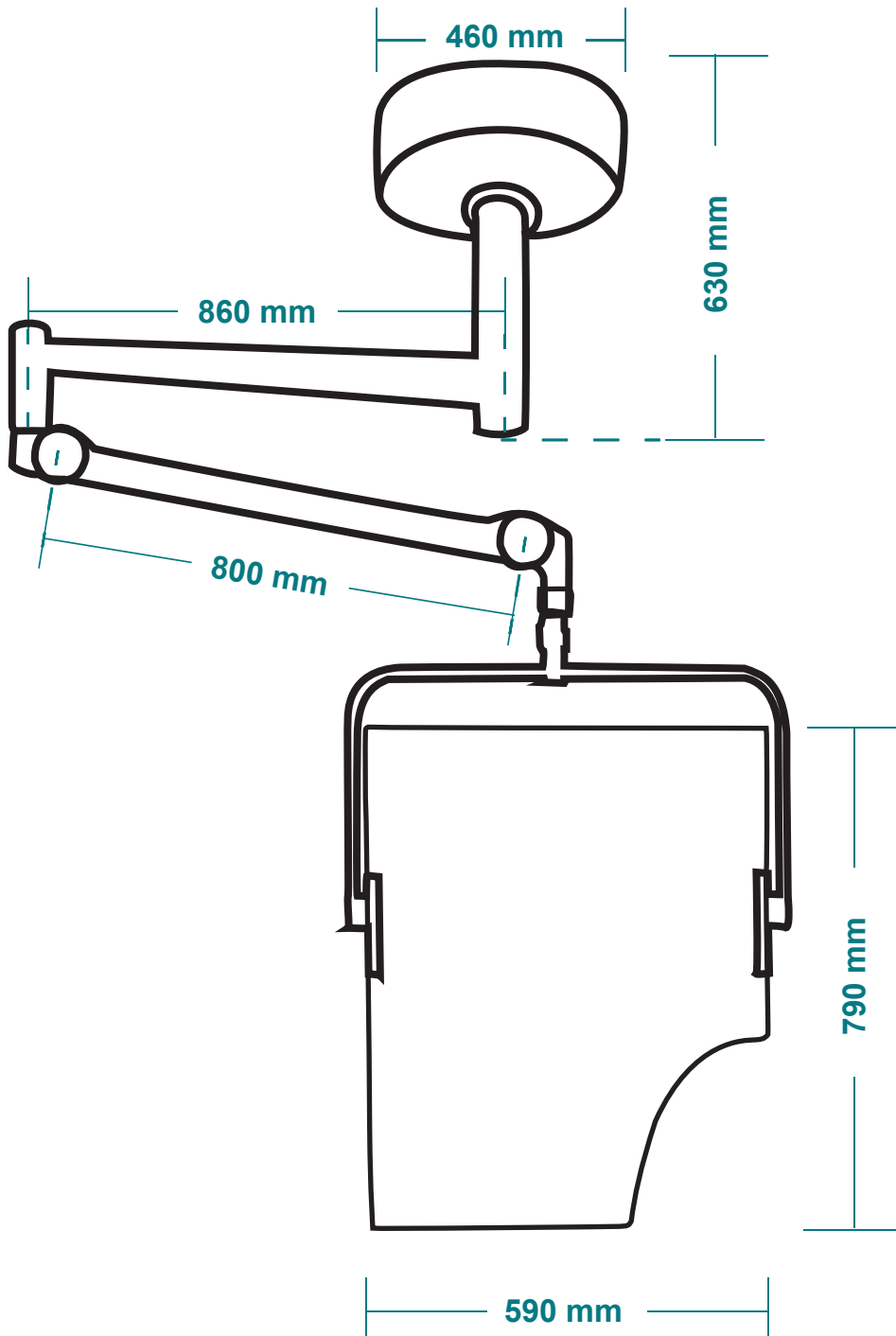
Protection Level: 0.50 mm Pb LE

MATERIAL: Metal

FEATURES: Torso cut-out

PRODUCT INFORMATION

CEILING MOUNTED OVERHEAD LEAD ACRYLIC BARRIER WITH TORSO CUTOUT - PTO-006



PRODUCT INFORMATION


CEILING MOUNTED OVERHEAD LEAD ACRYLIC BARRIER WITH TORSO CUTOUT

CONTACT

Should you need any further information,
please do not hesitate to contact us.

123 Lincoln Blvd, Middlesex, NJ 08845, USA 

+1 (866) 757 1307 

service@phillips-safety.com 

www.phillips-safety.com 