

**MOBILE LEADED BARRIER (SHORTY)  
WITH 36" x 24" WINDOW**  
LB-2436-S, LB-2436-S-ACR

**PRODUCT INFORMATION**

[PHILLIPS-SAFETY.COM](http://PHILLIPS-SAFETY.COM)

**COPYRIGHT ©2025. ALL RIGHTS RESERVED**



**PHILLIPS SAFETY**  
PRODUCTS INC.

## PRODUCT INFORMATION

### MOBILE LEADED BARRIER (SHORTY) WITH 36" x 24" WINDOW

LB-2436-S, LB-2436-S-ACR



The Mobile Leaded Barrier (Shorty) with 36" x 24" Window is a portable, full-body radiation barrier designed to protect against secondary radiation. It features 2.0mm lead equivalent opaque panels of solid, leaded x-ray protection with contoured sides. Its 36" W x 24" H lead equivalency window is a viewing panel which can be chosen in two different materials: a 2.0mm lead equivalent high-quality Schott leaded glass or a 0.5mm lead equivalent leaded acrylic. With an overall size of 39" W x 64" H, this Phillips Safety leaded barrier travels easily on its four-caster locking base steel legs. Please note that the shipping weight is approximately 200 lbs. It is recommended that two people move the barrier together at all times.

## SPECIFICATION

**WINDOW SIZE:** 36" x 24"

**PROTECTION:** 2.0mm Pb LE opaque panels

**WINDOW PROTECTION:**

leaded glass 2.0mm Pb LE or acrylic 0.5mm Pb LE

**MATERIAL:** Lead glass or acrylic, opaque panel solid lead.

**FEATURES:** Portable, leaded x-ray protection with contoured sides, heavy duty, 4-caster base.

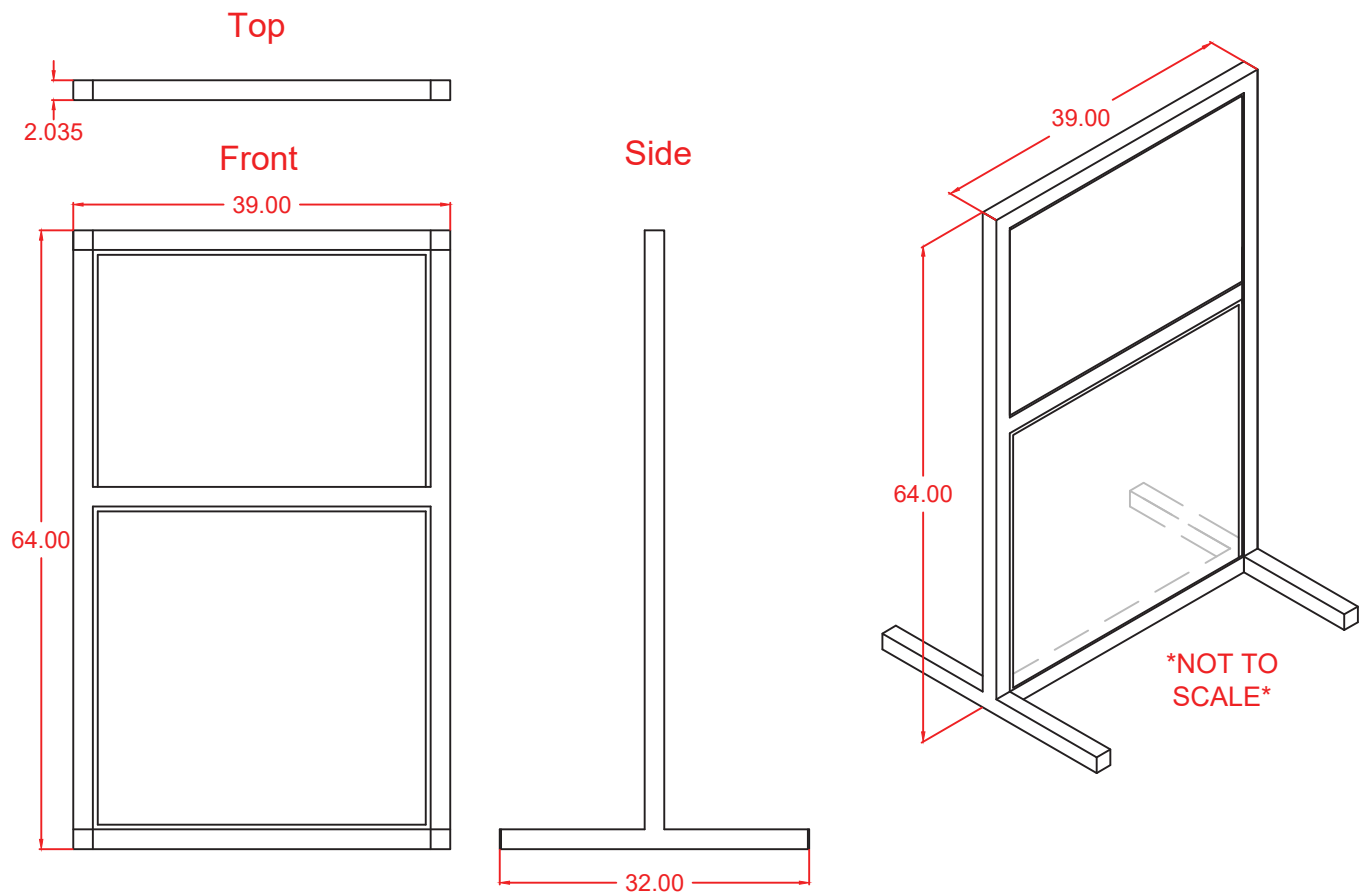
**BARRIER AVAILABLE SIZES:** 39"W x 64"H

**PRODUCT INFORMATION**

**MOBILE LEADED BARRIER (SHORTY) WITH 36" x 24" WINDOW**

LB-2436-S, LB-2436-S-ACR

**Mobile Leaded Barrier  
with 36" x 36" WINDOW**



**LB-2436-S-ACR**

**SCALE: 3/4" = 1'**

**PRODUCT INFORMATION**

TILTED MOBILE LEADED BARRIER WITH 24"x30" WINDOW


LB-2430-B, LB-2430-B-ACR

# CONTACT

Should you need any further information,  
please do not hesitate to contact us.

123 Lincoln Blvd, Middlesex, NJ 08845, USA 

+1 (866) 757 1307 

service@phillips-safety.com 

www.phillips-safety.com 