

# PVC HEAVY DUTY MOBILE SHIELD

## PRODUCT INFORMATION

[PHILLIPS-SAFETY.COM](https://www.phillips-safety.com)

COPYRIGHT ©2025. ALL RIGHTS RESERVED



**PHILLIPS SAFETY**  
PRODUCTS INC.

## PRODUCT INFORMATION

PVC HEAVY DUTY MOBILE SHIELD | LB-MB-2000404-PVC



The PVC Heavy Duty Mobile Shield is a durable lead shield with 0.5mm PbEq that offers an open base design to prevent tripping and promote safety. Made of one-inch thick high-quality PVC, this adjustable barrier is mobile and features swivel casters. The height of the barrier can be adjusted with tightening knobs: the top of the shield is 58" high at the maximum and 36" when lowered. In addition, this Phillips Safety lead shield measures 24" x 24" and features a heavy duty 4-caster base. The shield is attached to the top rod with five snap-buttons, and the rod is then slid into place on the base. This product contains no ferrous metals.

## SPECIFICATION

**SHIELD SIZE: 24" x 24"**

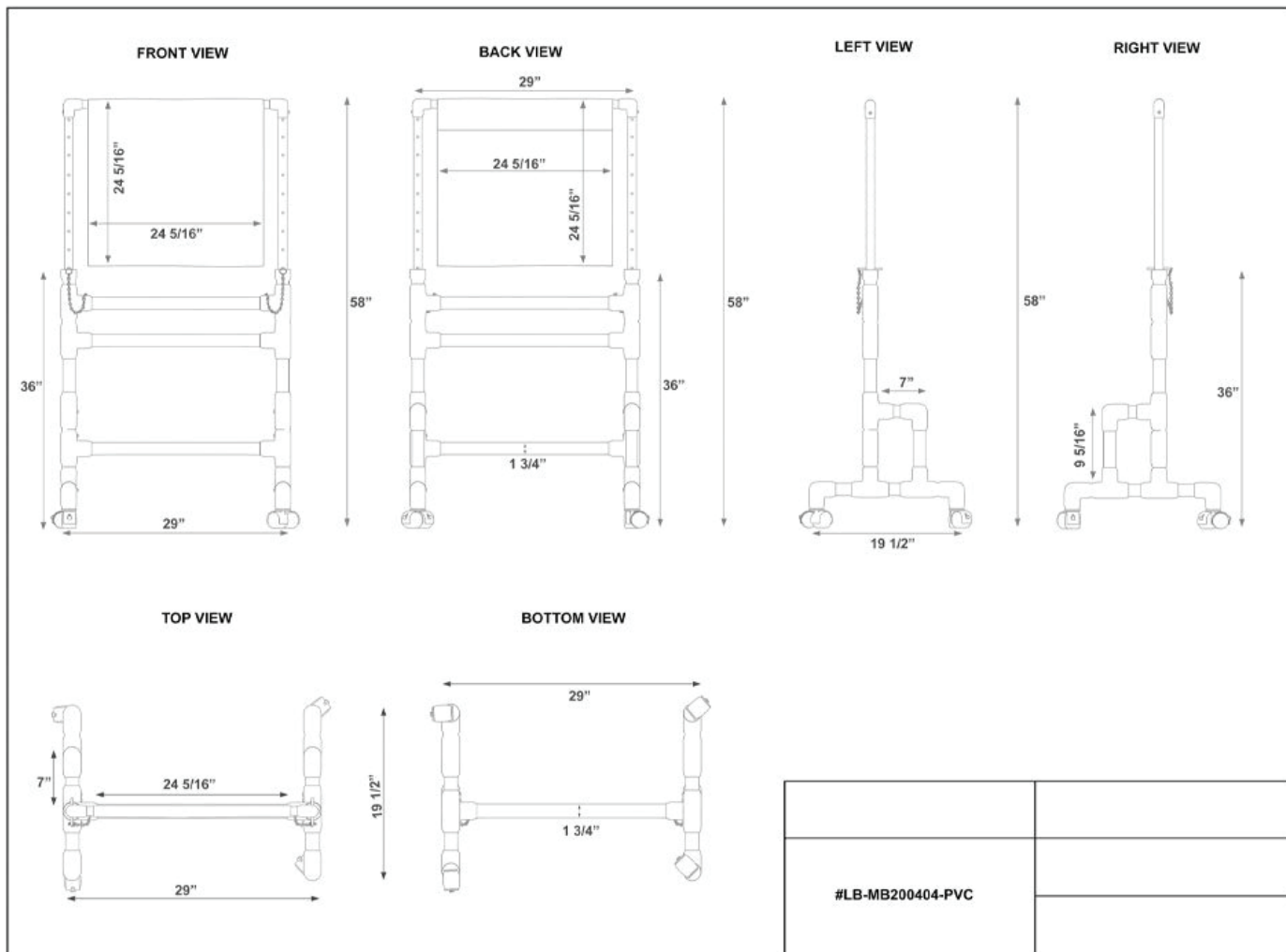
**SHIELD HEIGHT: 36" to 58"**

**MATERIAL: Lead Vinyl, PVC**

**PROTECTION LEVEL: 0.5mm Pb LE**

**FEATURES: Open base design, adjustable shield height up to 58", heavy duty, 4-caster base**

**PRODUCT INFORMATION**  
**PVC HEAVY DUTY MOBILE SHIELD | LB-MB-2000404-PVC**



# CONTACT

Should you need any further information,  
please do not hesitate to contact us.

123 Lincoln Blvd, Middlesex, NJ 08846, USA 

+1 866 575 1307 

service@phillips-safety.com 

www.phillips-safety.com 