

MOBILE LEADED BARRIER WITH 36" X 24" WINDOW

PRODUCT INFORMATION

PHILLIPS-SAFETY.COM

COPYRIGHT ©2025. ALL RIGHTS RESERVED



PHILLIPS SAFETY
PRODUCTS INC.

PRODUCT INFORMATION

MOBILE LEADED BARRIER WITH 36" X 24" WINDOW



The Mobile Leaded Barrier with 36" x 24" Window is a portable, full-body radiation barrier. It provides a barrier of 2.0mm lead equivalence steel, and features a large 36" W x 24" H viewing panel with 2.0mm lead equivalency glass and 0.5mm lead equivalence acrylic. In addition, the Phillips Safety Mobile Leaded Barrier has steel legs with heavy duty casters and a locking caster system for ease of mobility. With an overall size of 39.5" W x 75" H, it is recommended that two people move the barrier together at all times. Plus, it weights 220 lbs.

SPECIFICATION

WINDOW SIZE: 24" x 36"

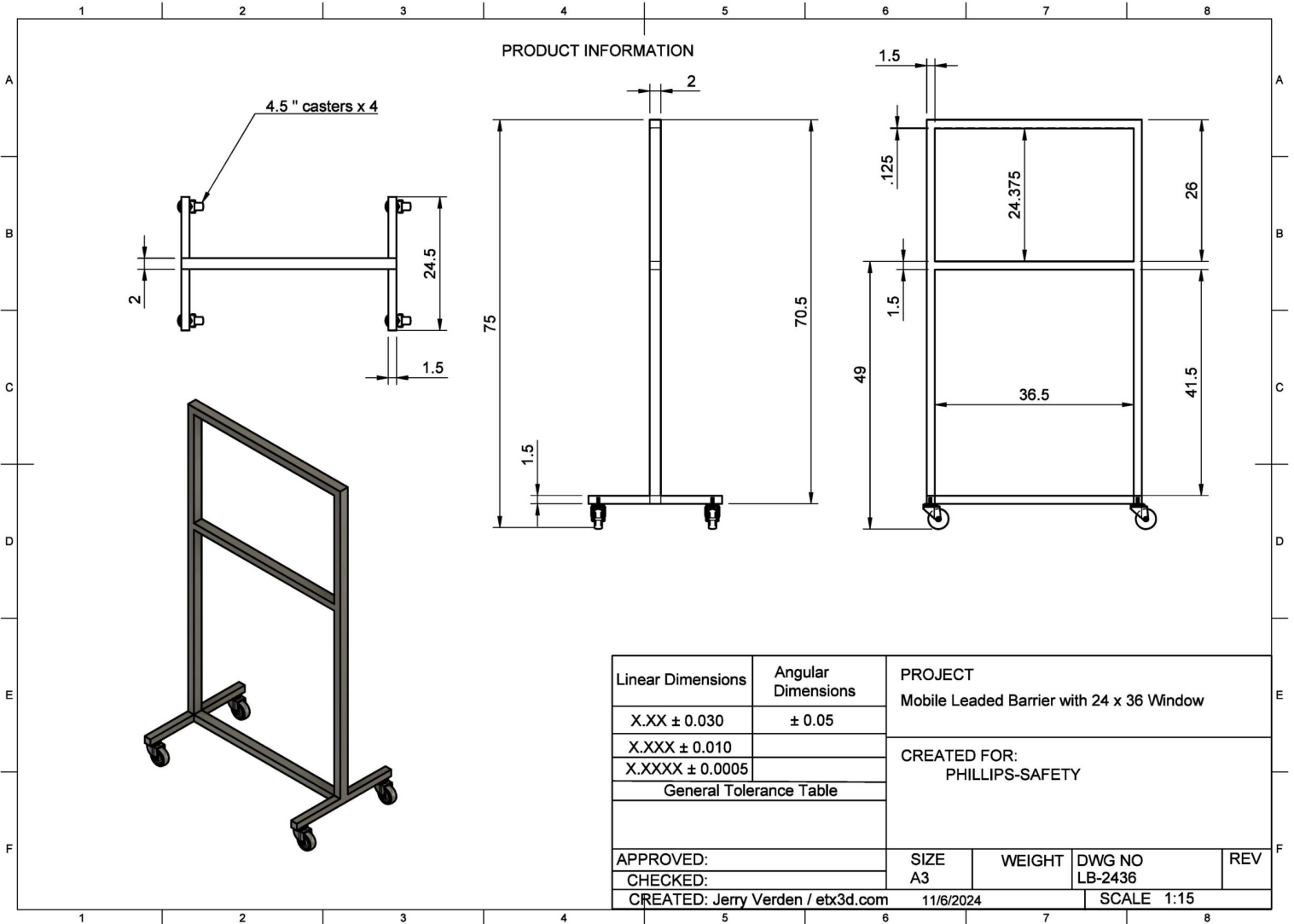
BARRIER SIZE: 39.5" W x 75" H

BARRIER MATERIAL: Metal

PROTECTION LEVEL: Lead Glass 2.0 PbEq,
Lead Acrylic 0.5mm PbEq

FEATURES: Viewing Panel and Locking caster system

PRODUCT INFORMATION
MOBILE LEADED BARRIER WITH 36" X 24" WINDOW




Linear Dimensions	Angular Dimensions	PROJECT			
X.XX ± 0.030	± 0.05	Mobile Leaded Barrier with 24 x 36 Window			
X.XXX ± 0.010		CREATED FOR: PHILLIPS-SAFETY			
X.XXXX ± 0.0005					
General Tolerance Table					
APPROVED:		SIZE	WEIGHT	DWG NO	REV
CHECKED:		A3		LB-2436	
CREATED: Jerry Verden / etx3d.com		11/6/2024		SCALE 1:15	


PRODUCT INFORMATION
MOBILE LEADED BARRIER WITH 36" X 24" WINDOW

CONTACT

Should you need any further information,
please do not hesitate to contact us.

123 Lincoln Blvd, Middlesex, NJ 08846, USA 

+1 866 575 1307 

service@phillips-safety.com 

www.phillips-safety.com 