

**MOBILE LEADED BARRIER (SHORTY)
WITH 36" x 24" WINDOW**

PRODUCT INFORMATION

PHILLIPS-SAFETY.COM

COPYRIGHT ©2025. ALL RIGHTS RESERVED



**PHILLIPS SAFETY
PRODUCTS INC.**

PRODUCT INFORMATION

MOBILE LEADED BARRIER (SHORTY) WITH 36" x 24" WINDOW | LB-2436-S



The Mobile Leaded Barrier (Shorty) with 36" x 24" Window is a portable, full-body radiation barrier designed to protect against secondary radiation. It features 2.0mm lead equivalent opaque panels of solid, leaded x-ray protection with contoured sides. Its 36" W x 24" H lead equivalency window is a viewing panel which can be chosen in two different materials: a 2.0mm lead equivalent high-quality Schott leaded glass or a 0.5mm lead equivalent leaded acrylic. With an overall size of 39.5"W x 62.5"H, this Phillips Safety leaded barrier travels easily on its four-caster locking base steel legs. Please note that the barrier weight is approximately 185 lbs. It is recommended that two people move the barrier together at all times.

SPECIFICATION

WINDOW SIZE: 36" x 24"

MATERIAL: Lead glass or acrylic, opaque panel solid lead

BARRIER SIZE: 39.5" W x 62.5" H

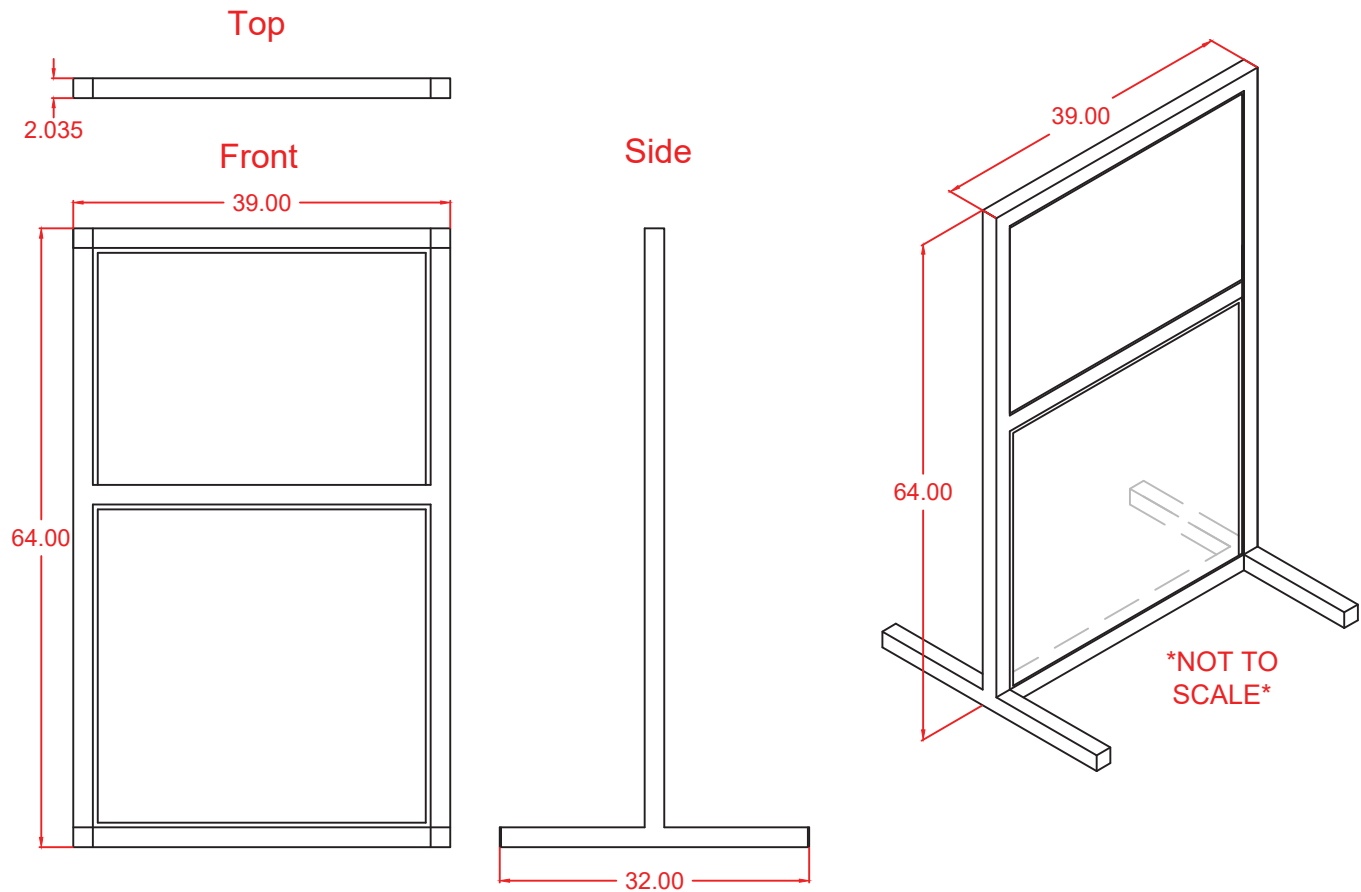
FEATURES: Portable, leaded x-ray protection with contoured sides, heavy duty, 4-caster base

PROTECTION LEVEL: Lead glass 2.0mm Pb LE
or Lead acrylic 0.5mm Pb LE

PRODUCT INFORMATION

MOBILE LEADED BARRIER (SHORTY) WITH 36" x 24" WINDOW | LB-2436-S

**Mobile Leaded Barrier
with 36" x 24" WINDOW**



LB-2436-S-ACR

SCALE: 3/4" = 1'

PRODUCT INFORMATION


MOBILE LEADED BARRIER (SHORTY) WITH 36"x 24" WINDOW

CONTACT

Should you need any further information,
please do not hesitate to contact us.

123 Lincoln Blvd, Middlesex, NJ 08845, USA 

+1 (866) 757 1307 

service@phillips-safety.com 

www.phillips-safety.com 