



ASSEMBLY INSTRUCTIONS

GARMENT STYLE MOBILE 10-ARM APRON RACK



COPYRIGHT ©2025. ALL RIGHTS RESERVED

PHILLIPS-SAFETY.COM

ABOUT PHILLIPS SAFETY

Phillips Safety is the industry leader in occupational safety eyewear. In business for over 100 years, you are being served with the dedication and craftsmanship of a family owned company.

Phillips Safety has been producing occupational safety glasses since 1905 and continues to develop and produce the highest quality glasses and lenses today. A leading manufacturer of specialty safety eyewear in the United States, Phillips Safety adheres to strict ANSI Z87-2+ and EN 207 CE standard certifications, holding itself to the highest

standard and prides itself on producing glasses with the finest quality materials available.





All safety glasses produced and sold by Phillips Safety meet strict industry standards for military, medical, research laboratories, and a variety of other industries.

With Phillips Safety's dedicated team, you can rest assured knowing that all your prescription safety needs are met.


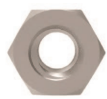
ASSEMBLY INSTRUCTIONS
 GARMENT STYLE MOBILE 10-ARM APRON RACK

PARTS LIST








BOX 1

<p>24" Bar</p>  <p>2x</p> <p>A</p>	<p>50" Bar</p>  <p>2x</p> <p>B</p>	<p>49" Bar</p>  <p>2x</p> <p>C</p>	<p>49.75" Bar</p>  <p>1x</p> <p>D</p>
--	--	---	---

BOX 2

<p>Casters</p>  <p>4x</p> <p>E</p>	<p>Nuts</p>  <p>4x</p> <p>F</p>
--	---

BOX 2 - HARDWARE BAG

<p>7/16" x 4" Bolts</p>  <p>4x</p> <p>G</p>	<p>7/16" x 2" Bolts</p>  <p>12x</p> <p>H</p>	<p>5/16" x 2" Bolts</p>  <p>4x</p> <p>I</p>	<p>6/16" Nuts</p>  <p>4x</p> <p>J</p>	<p>7/16" Lock Washers</p>  <p>16x</p> <p>K</p>	<p>5/16" Washers</p>  <p>8x</p> <p>L</p>	<p>Rack with 5 Full Swing Arms</p>  <p>2x</p> <p>M</p>
--	---	--	---	---	---	---

ASSEMBLY INSTRUCTIONS
GARMENT STYLE MOBILE 10-ARM APRON RACK





STEP 1

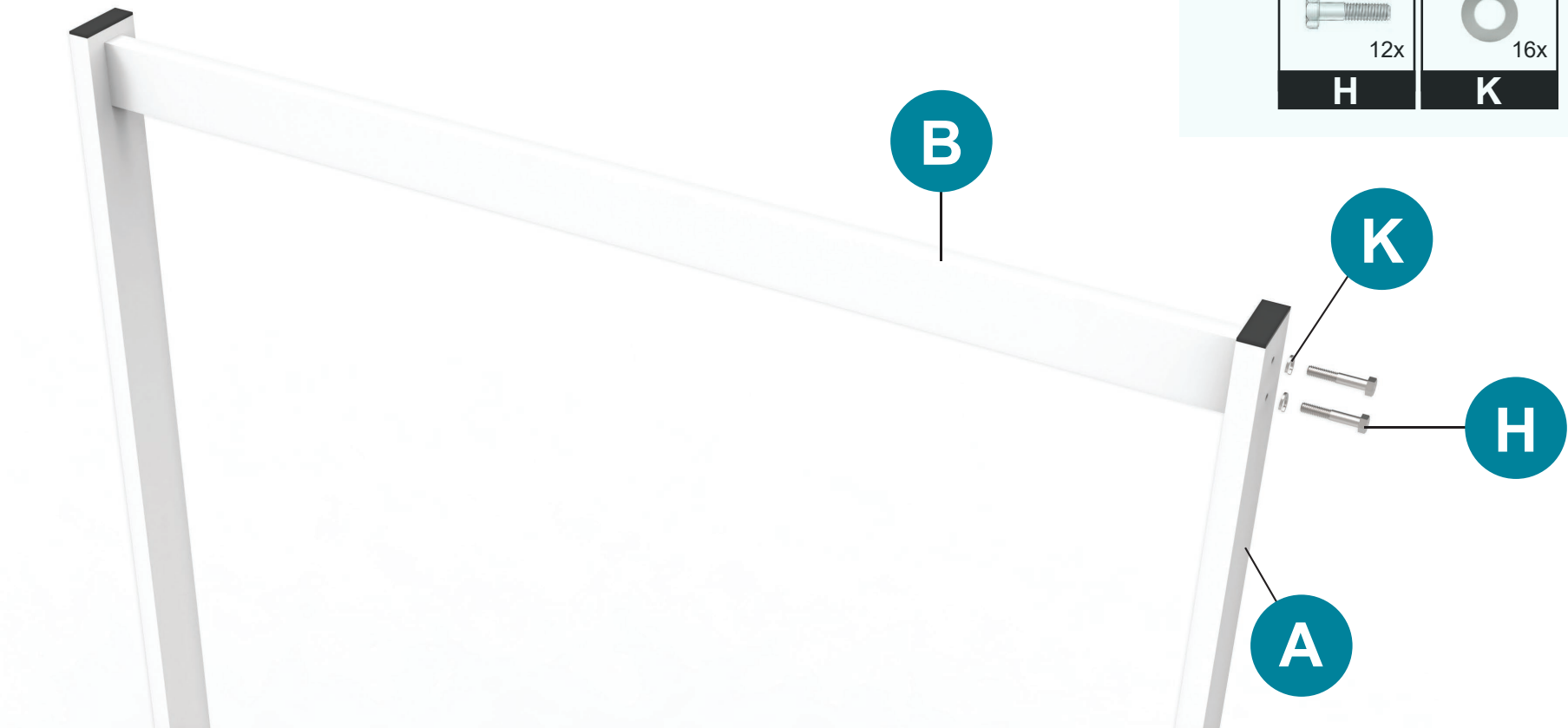
Please be aware that the assembly requires the participation of two people.

5/16" and 7/16" wrenches (not included) are required.

1. Attach the 24" Bars **A** to the 50" Bars **B**. Do so by securing with a 7/16" x 2" bolt **H** with a 7/16" lock washer **K** in the middle.

PARTS NEEDED

24" Bar  2x A	50" Bar  2x B
7/16" x 2" Bolts  12x H	7/16" Lock Washers  16x K



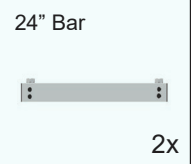
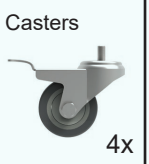
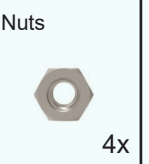
BASE

ASSEMBLY INSTRUCTIONS
GARMENT STYLE MOBILE 10-ARM APRON RACK

STEP 2

- 2.1 Remove **F** from casters **E**. These can be discarded, as they are only place there to keep the bolts and casters together.
- 2.2 Attach casters **E** to the 24" Bar **A**.

PARTS NEEDED

24" Bar  2x A	Casters  4x E	Nuts  4x F
--	--	---



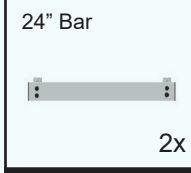
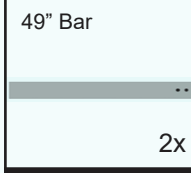
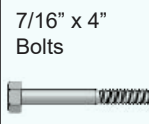

BASE

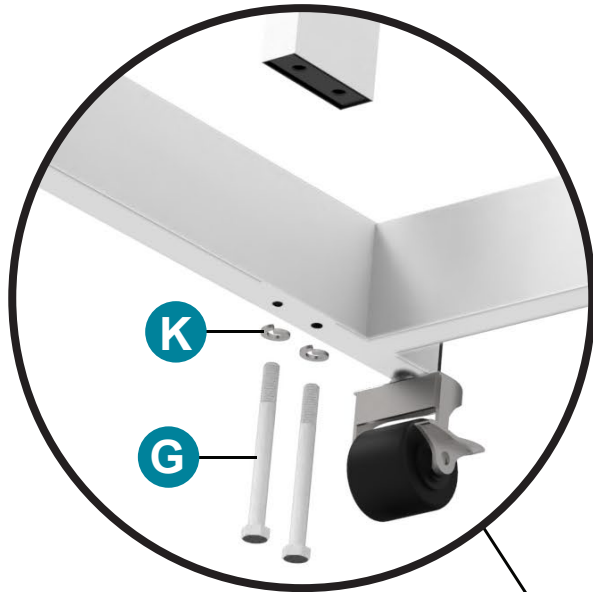
ASSEMBLY INSTRUCTIONS
GARMENT STYLE MOBILE 10-ARM APRON RACK

STEP 3

3. Attach the 49" Bar **C** to the 24" Bar **A**. Secure them into place using 7/16" Lock Washers **K** and 7/16" x 4" Bolts **G**.

PARTS NEEDED

24" Bar  2x A	49" Bar  2x C
7/16" x 4" Bolts  4x G	7/16" Lock Washers  16x K



BASE + CENTER POST

A





C

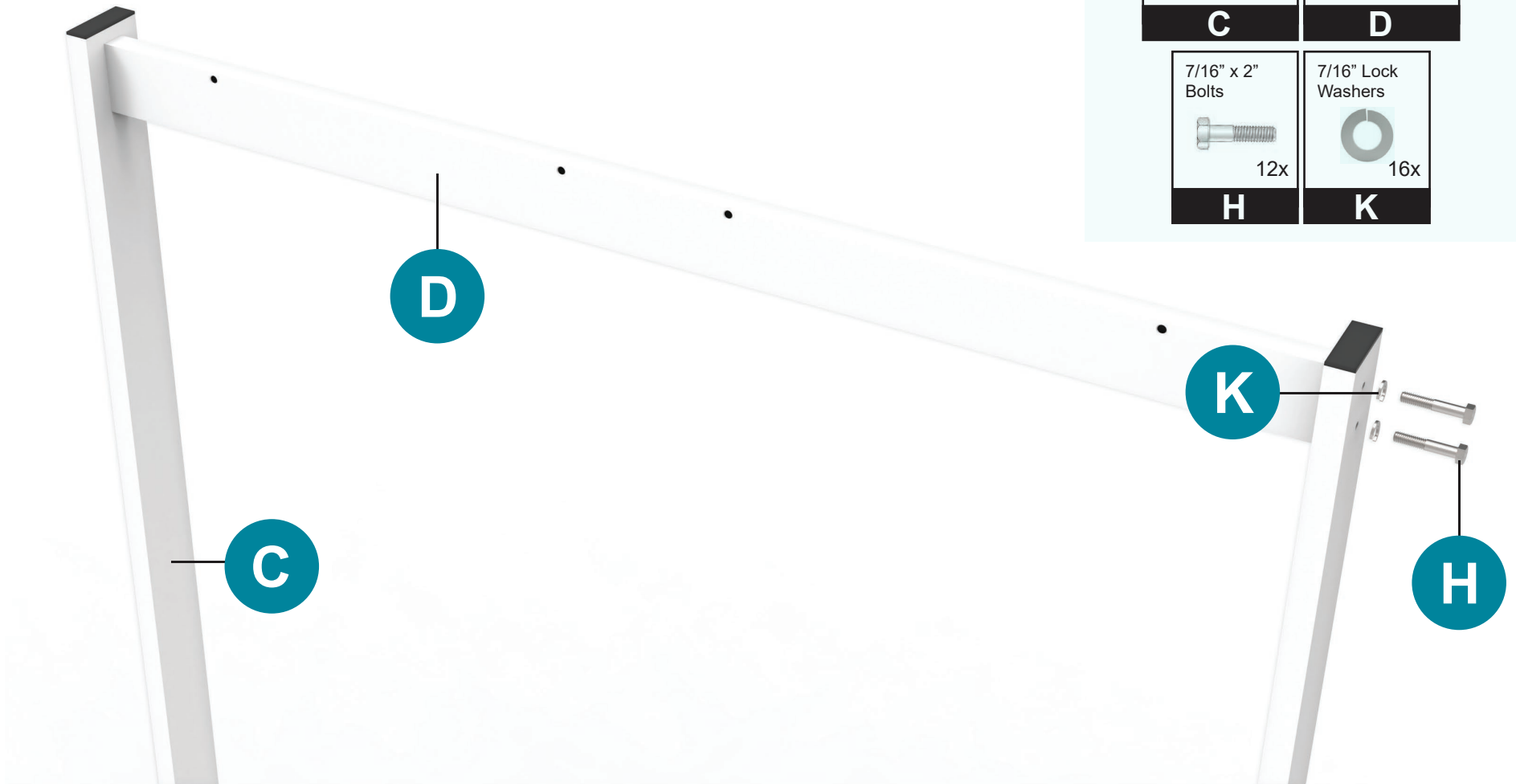
ASSEMBLY INSTRUCTIONS
GARMENT STYLE MOBILE 10-ARM APRON RACK

STEP 4

4. Attach the 49.75" Bar **D** to the 49" Bar **C**. Secure them into place using 7/16" Lock Washers **K** and 7/16" x 2" Bolts **H**.

PARTS NEEDED

49" Bar  2x C	49.75" Bar  1x D
7/16" x 2" Bolts  12x H	7/16" Lock Washers  16x K



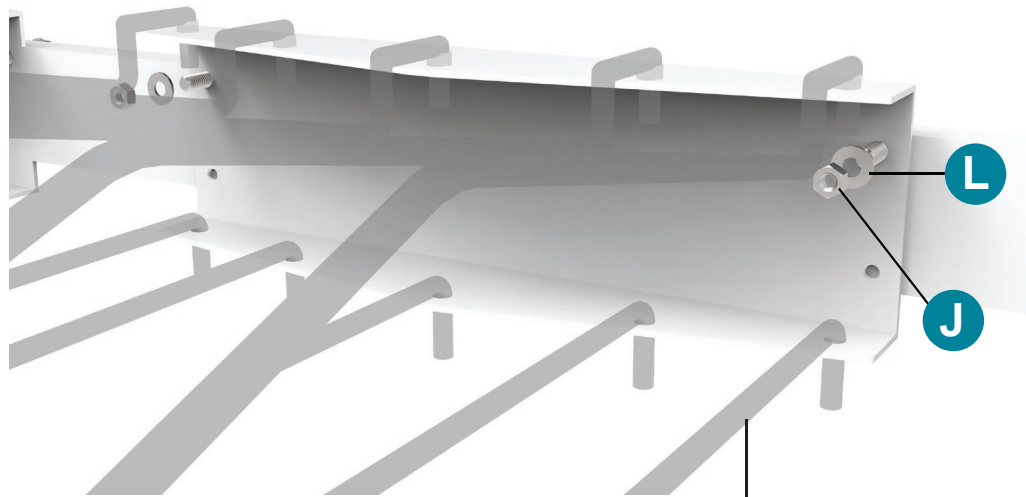
BASE + CENTER POST

ASSEMBLY INSTRUCTIONS
GARMENT STYLE MOBILE 10-ARM APRON RACK

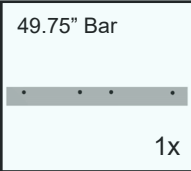
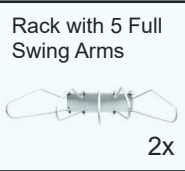
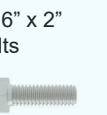
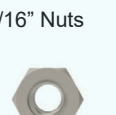

STEP 5

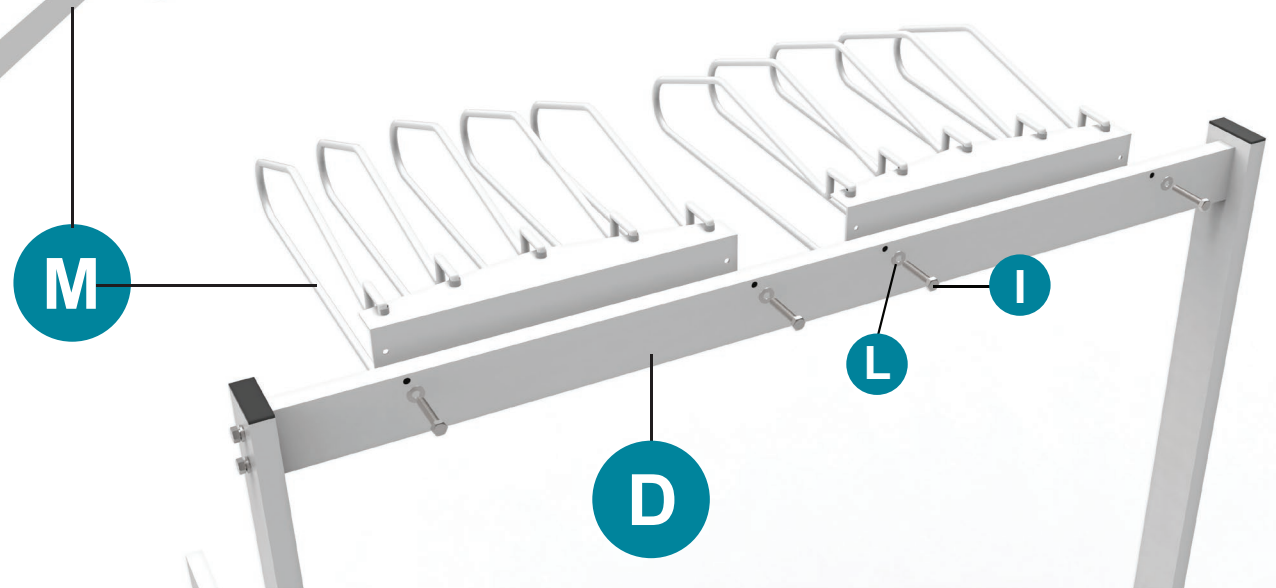
5.1 Insert rack with 5 Full Swing Arms **M** to 49.75" Bar **D**.

5.2 Secure them into place using 5/16" x 2" Bolts **I** and 5/16" Nuts **J**, and insert 5/16" Washers **L** both in the top and in the bottom.



PARTS NEEDED

 49.75" Bar 1x D	 Rack with 5 Full Swing Arms 2x M	
 5/16" x 2" Bolts 4x I	 6/16" Nuts 4x J	 5/16" Washers 8x L



BASE + APRON RACK

ASSEMBLY INSTRUCTIONS
GARMENT STYLE MOBILE 10-ARM APRON RACK

STEP 6

The assembly is now complete.




FINAL PRODUCT


PHILLIPS-SAFETY.COM

CONTACT

Should you need any further information,
please do not hesitate to contact us.

123 Lincoln Blvd, Middlesex, NJ 08845, USA 

+1 (866) 757 1307 

service@phillips-safety.com 

www.phillips-safety.com 