

MOBILE MULTIPLE APRON HANGER WITH 10 SWING ARMS

PRODUCT INFORMATION

PHILLIPS-SAFETY.COM

COPYRIGHT ©2025. ALL RIGHTS RESERVED



PHILLIPS SAFETY
PRODUCTS INC.

PRODUCT INFORMATION

MOBILE MULTIPLE APRON HANGER WITH 10 SWING ARMS



The Mobile Multiple Apron Hanger with 10 Swing Arms is an apron rack that can safely hold up to 10 lead aprons. Made of solid steel construction and featuring a generous, sturdy base which is counter weighted for the utmost in stability, it is virtually untipable. Designed to organize departments with an uncluttered look that can be permanently installed, this Phillips Safety apron hanger has pivoting arms that fold flat against the wall. Its mobile pedestal system allows it to easily move between radiation departments, labs, operation rooms, and more. The overall dimensions for this Mobile Multiple Apron Hanger are 24" D x 20" W x 49.5" H, and the arms extend to a maximum of 22.5" in depth. Plus, it weighs approximately 60 lbs.

SPECIFICATION

MATERIAL: Aluminum

COLOR: White

LEAD APRON CAPACITY: 10

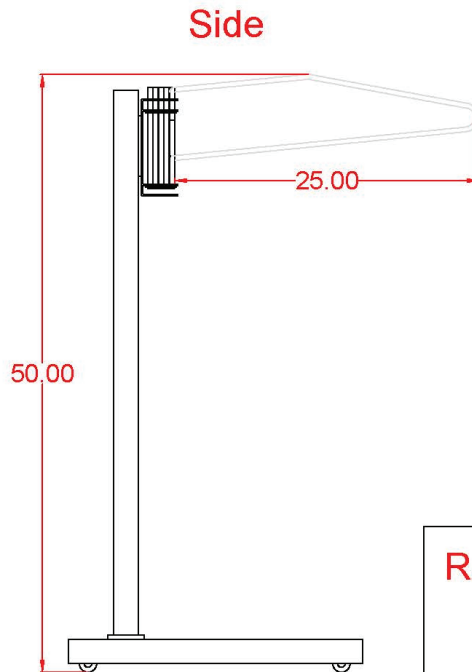
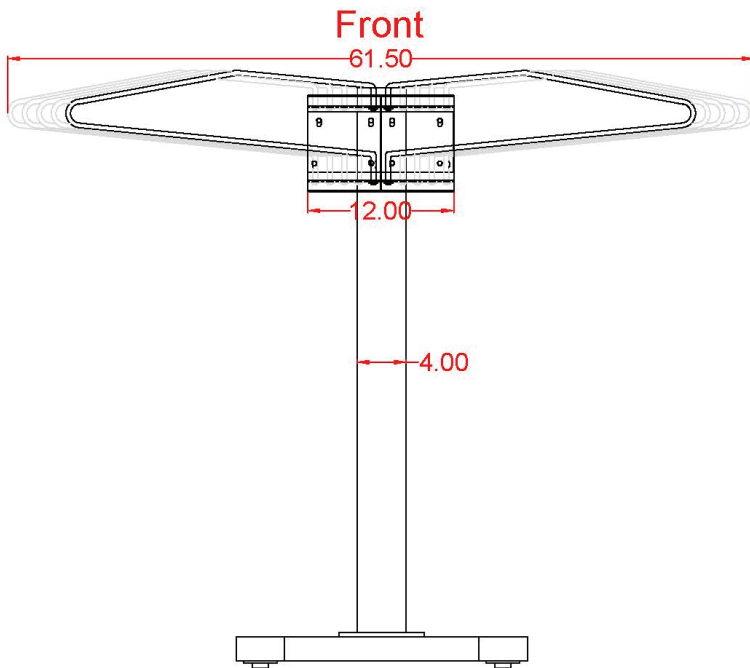
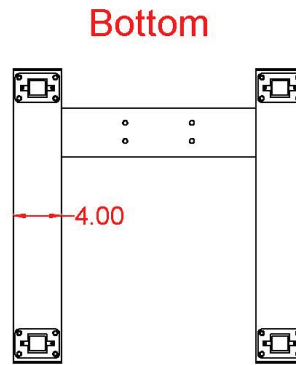
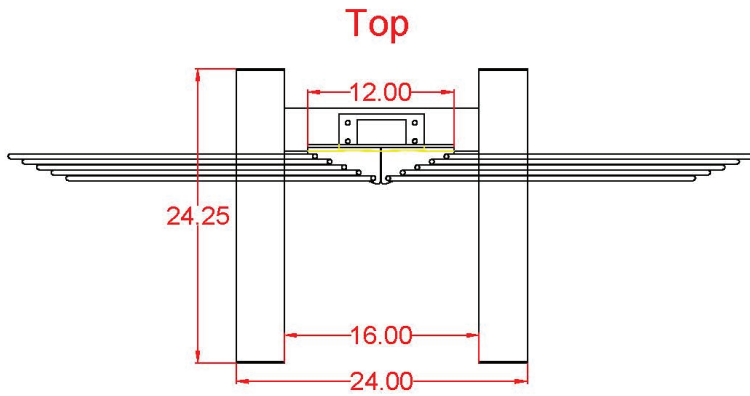
SIZE: 20" x 49.5" x 24"

WEIGHT: 60 lb

FEATURES: Mobile, stable, sturdy base,
arms extend a maximum of 22.5" in depth

PRODUCT INFORMATION
MOBILE MULTIPLE APRON HANGER WITH 10 SWING ARMS

**Multiple Apron Hanger
with 10 Swing Arms**



RAR-M10S-HB
SCALE: 1" = 1'


PRODUCT INFORMATION
MOBILE MULTIPLE APRON HANGER WITH 10 SWING ARMS

CONTACT

Should you need any further information,
please do not hesitate to contact us.

123 Lincoln Blvd, Middlesex, NJ 08846, USA 

+1 866 575 1307 

service@phillips-safety.com 

www.phillips-safety.com 